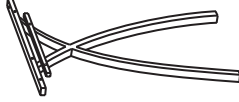




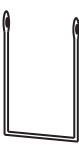








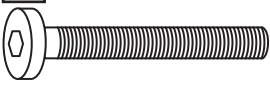



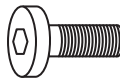







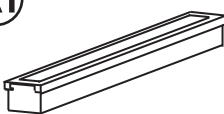
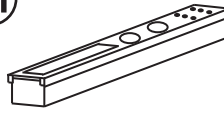






DEZIGN LINE WOOD TOP PARTS LIST U-7500B

A QTY: 1  Left Leg	B QTY: 1  Right Leg	C QTY: 2  Top Brace	D QTY: 2  Cross Brace	E QTY: 1  Wood Top
F QTY: 2  Drawer Support	G QTY: 2  Drawer Support Rod	H QTY: 2  Tilt Mechanism Bracket	I QTY: 4  Floor Guide	J QTY: 2  Spacer
K QTY: 4  Locking Nut	L QTY: 2  Plastic Washer	M QTY: 2  Stop	N QTY: 2  Top L Bracket	O QTY: 2  6 X 75 mm Bolt
P QTY: 2  4 X 12 mm Screw	Q QTY: 8  6 X 60 mm Bolt	R QTY: 2  Short Support Rod	S QTY: 4  6 X 12 mm Bolt	T QTY: 28  5 X 14 mm Screw
U QTY: 6  Metal Washer	V QTY: 1  Acorn Nut	W QTY: 2  Tilt Mechanism	X QTY: 1  Allen Wrench	Y QTY: 1  Wrench
Z QTY: 1  Pencil Edge	A1 QTY: 2  Side Tray A	B1 QTY: 2  Side Tray B	C1 QTY: 8  Side Tray Bracket	D1 QTY: 2  Nut
E1 QTY: 3  6 X 20 mm Bolt	F1 QTY: 2  6 X 18 mm Bolt			

IMPORTANT

If you have difficulty assembling your Table or need customer service assistance, please call : Martin Universal Design, Inc. Customer service hot line at 1-313-895-0700, or email at custservmud@gmail.com. If you need additional parts, it is not necessary to contact your dealer. Our Customer Service Rep. will forward them to you immediately.

MARTIN
MARTIN UNIVERSAL DESIGN, INC

4444 Lawton Street, Detroit, MI 48208 USA

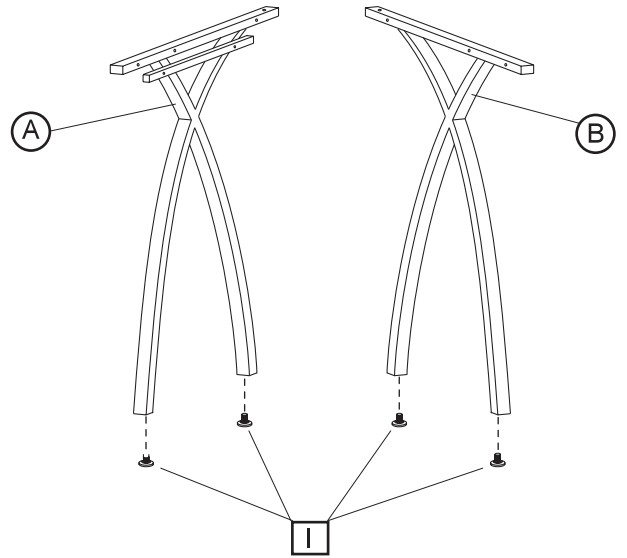
TEL: 313-895-0700 FAX: 313-895-0709

www.MartinUniversaldesign.com

Email: custservmud@gmail.com

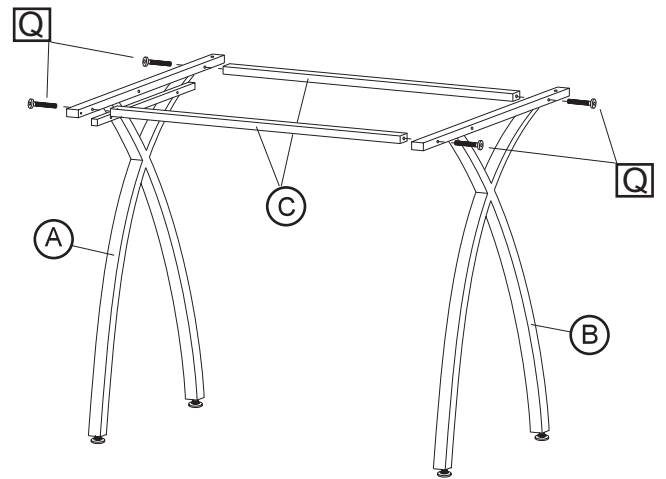
STEP 1:

Begin assembly by attaching [2] floor guides (Part **I**) to the left leg (Part **A**) and repeat by attaching [2] floor guides (Part **I**) to the right leg (Part **B**).



STEP 2:

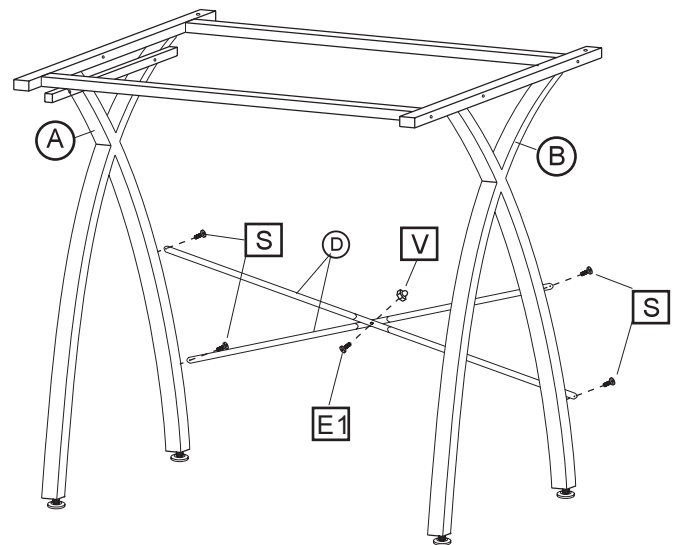
Attach [2] top brace (Part **C**) to left leg (Part **A**) using 6 X 60 mm bolt (Part **Q**) and tighten with Allen wrench (Part **X**) repeat by attaching top brace to right leg (Part **B**) using [2] 6 X 60 mm bolt (Part **Q**) and tighten with Allen wrench (Part **X**).

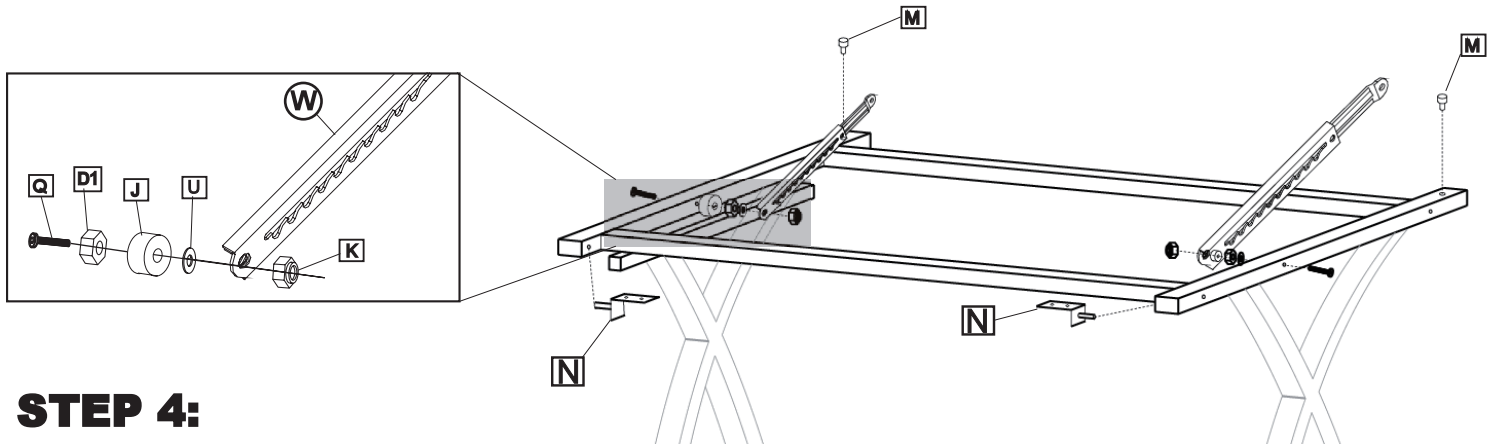


STEP 3:

Attach [2] cross brace (Part **D**) using [1] 6 X 20 mm bolt (Part **E1**) through the center hole of the cross braces. Complete by adding acorn nut (Part **V**) and tighten with wrench (Part **Y**)

Continue by attaching cross brace (Part **D**) to the left leg (Part **A**) using [2] 6 X 12 mm bolts (Part **S**). Tighten bolts with Allen wrench (Part **X**) and repeat the steps to the right leg (Part **B**).





STEP 4:

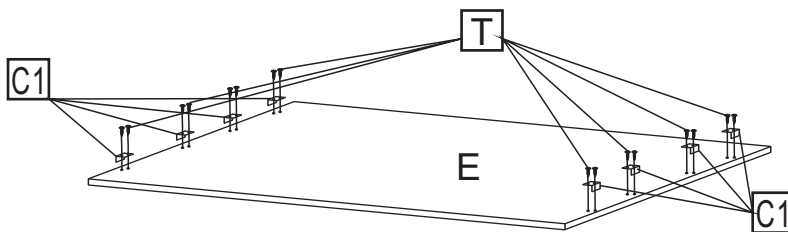
Attach Tilt Mechanism (Part **W**) to the left leg using the hole that is near the front of leg.

Begin by inserting [1] 6 X 60 mm bolt (Part **Q**) through the hole from the outside of the base,continue by adding [1] nut (Part **D1**) and tighten with wrench (Part **Y**).

After tightening the nut (Part **D1**) add spacer (Part **J**) over the nut, continue by adding washer (part **U**) and then the Tilt Mechanism (Part **W**) and complete by adding a locking nut (Part **K**) Now tighten with Wrench (Part **Y**).

Repeat these Steps for the other side to complete assemblies for both Left and Right Tilt Mechanism.

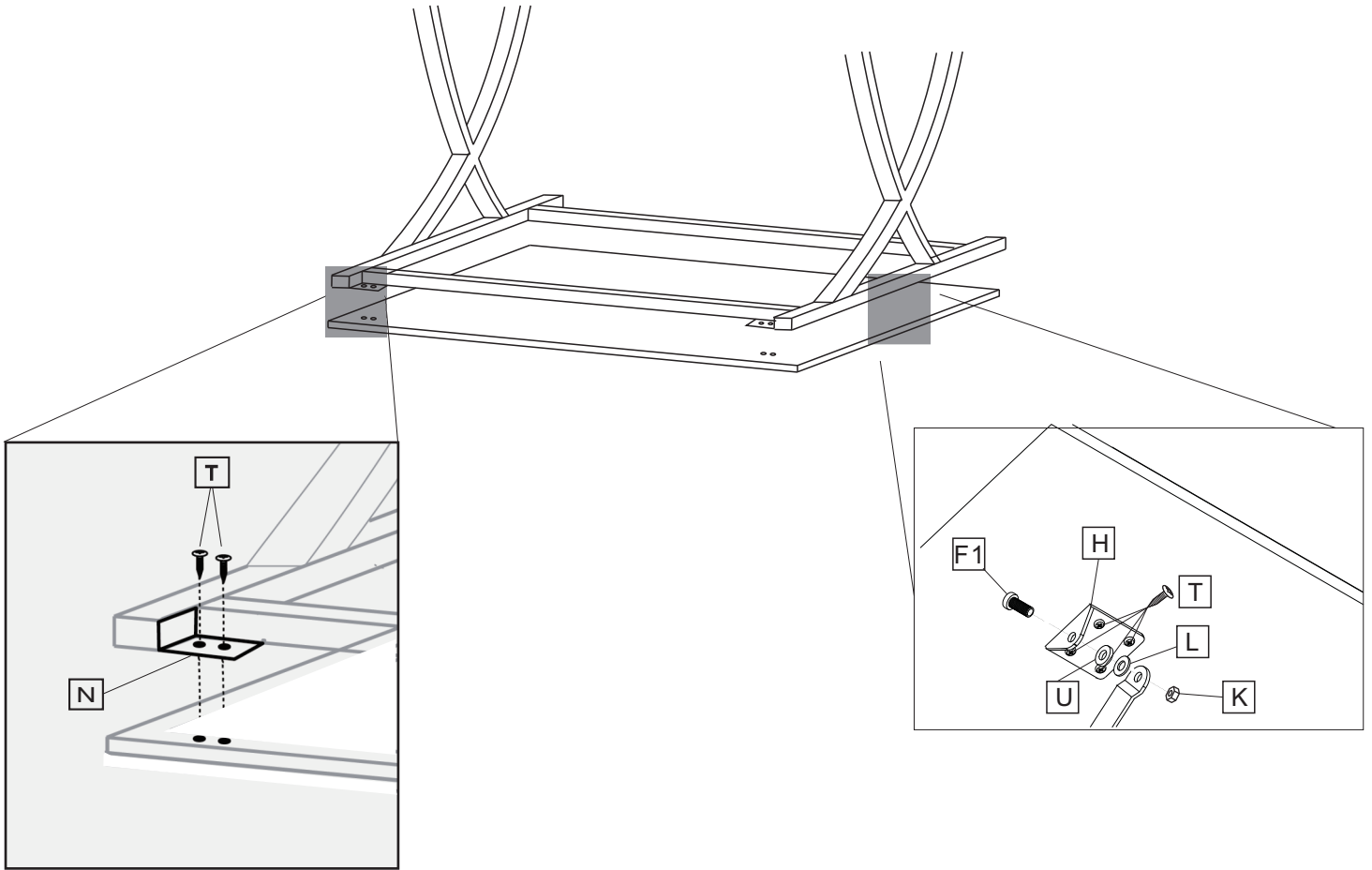
Attach [2] stops (Part **M**) to the left leg and right leg. Please look at diagram for placement.



STEP 5:

Attach the [8] Side Tray Bracket (Part **C1**) using [16] 5 X 14 mm Screws (Part **T**).

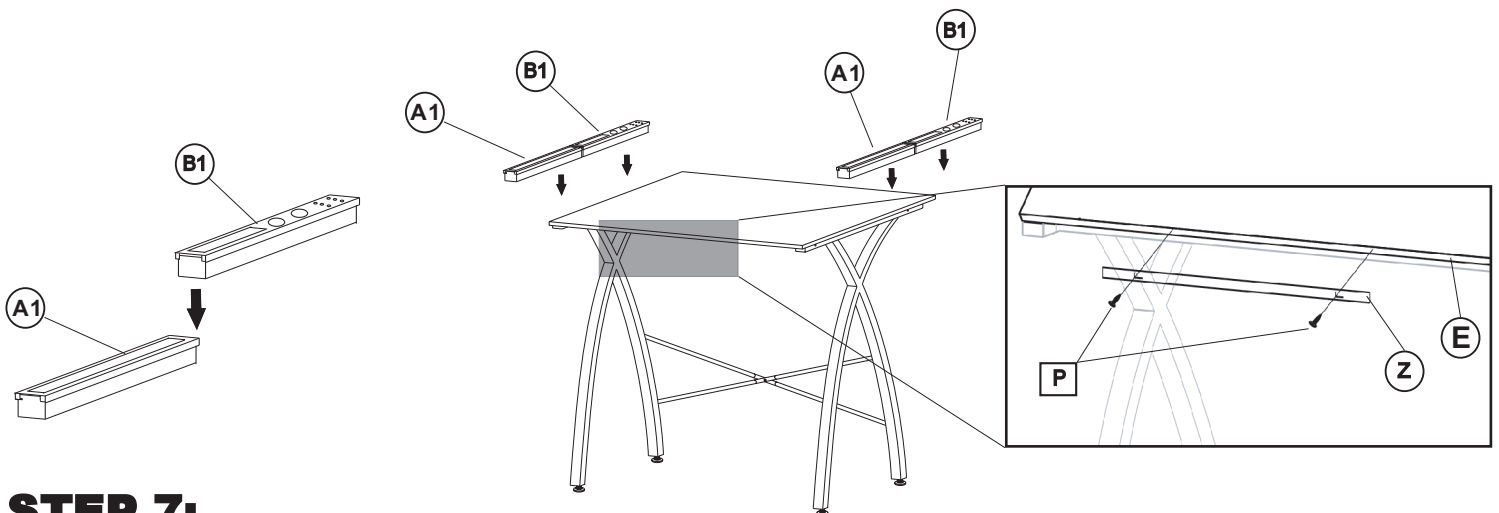
Note: Lay the Wood Top (Part **E**) onto a flat carpeted surface to avoid scratching the Top.



STEP 6:

Lay the Wood Top assembly upside down on a clean surface making the sure the Side Tray Brackets are facing you. Insert the top L brackets (Part **N**) into the holes found on the top end of the table base assembly. Secure the top L brackets (Part **N**) to the table top using [4] 5 X 14 mm screws (Part **T**) Tighten with your Phillips head screwdriver.

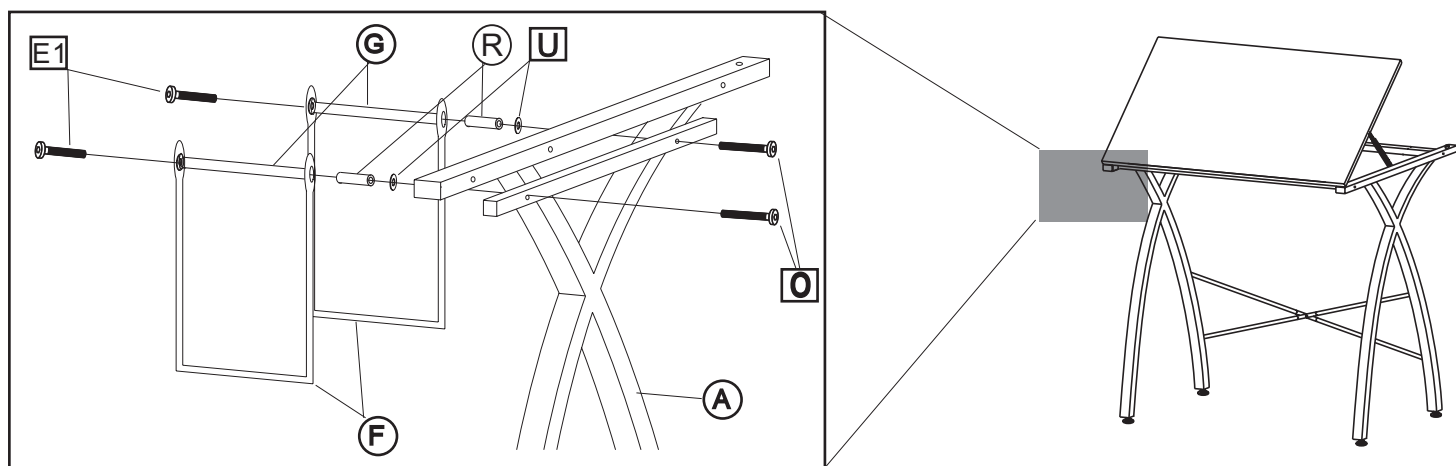
Attach Tilt Mechanism Bracket (Part **H**) to the tilt mechanism (Part **W**) using [1] 6 X 18 mm Bolt (Part **F1**) and [4] 5x14 mm screws (Part **T**) per bracket. Insert Bolt thru outside hole of bracket, add Plastic washer (Part **L**) then add Metal washer (Part **U**) and then put bolt thru hole in Tilt Mechanism. Complete by adding Locking Nut (Part **K**) and tighten with wrench (Part **Y**).



STEP 7:

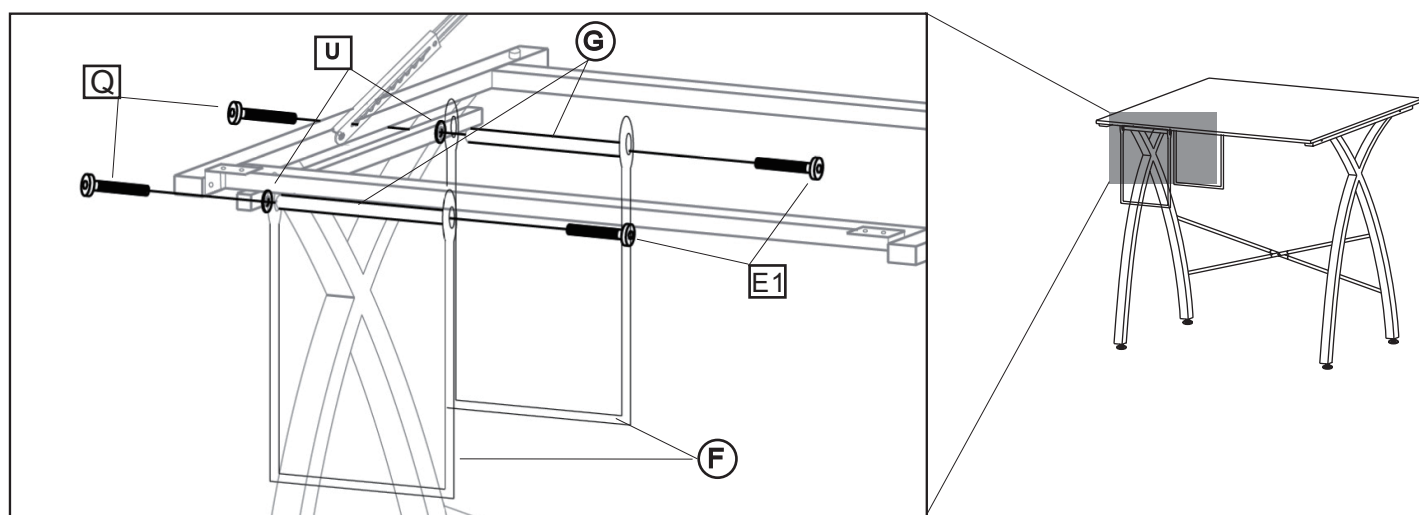
Turn table back to upright position. To attach the side trays [1] (Part **A1** & **B1**) to the table top, slide the side trays down onto the bracket making sure the side tray edge fits onto the brackets. Repeat these Steps for the other side to complete the assemblies for both left and right. Now attach pencil edge (Part **Z**) to the Top Frame (Part **D1**) using [2] 4x12 mm screws (Part **P**)

DRAWER SUPPORT OPTIONS



OPTION 1

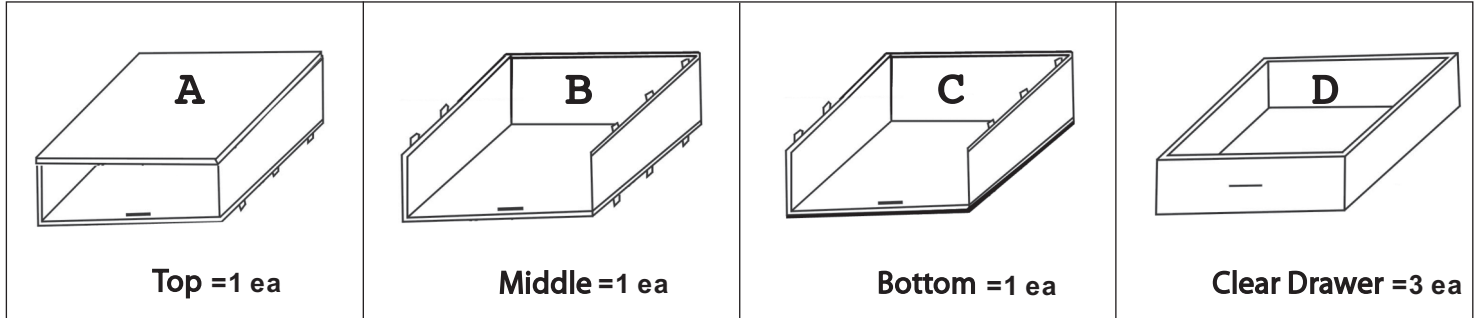
Begin by inserting [2] 6 X 75 mm bolts (Part **O**) on the inside of the lower bracket of the Left Leg (Part **A**) then add Metalwasher (Part **U**) Then add the short support rod (Part **R**). Slide on Drawer Support (Part **F**) Secure in place with Drawer Support Rod (Part **G**). Complete Drawer Support assembly by securing with 6 X 20 mm Bolt (Part **E1**).



OPTION 2

Begin by inserting [2] 6 X 60 mm Bolts (Part **Q**) on the inside of the lower bracket of the Left Leg (Part **A**) now slide on Drawer Support (Part **F**) Secure in place with Drawer Support Rod (Part **G**). Complete Drawer Support assembly by securing with [2] 6 X 20 mm Bolt (Part **E1**).

Drawer Assembly Instructions



WARNING: Read all instructions first before assembling drawers. Once pieces are snapped together they are secured.

Assemble your drawers by taking the section [A] and snapping into place - by lining up the tabs with the grooves in the outside edge of section piece [B].

Complete by snapping section [C] onto section A&B.

Finish by sliding the [3] Clear Drawers (Part D) into the drawer bank assembly.

