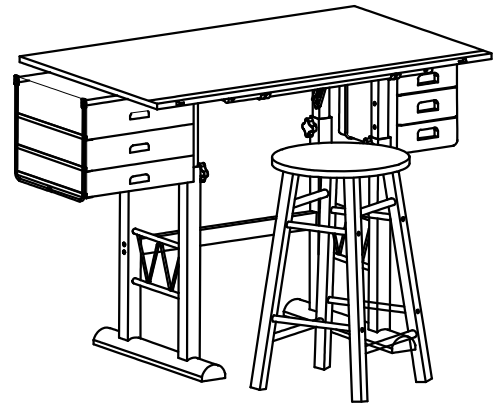




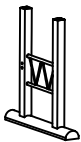

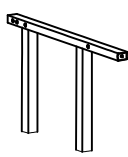
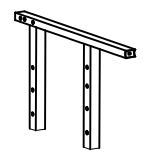



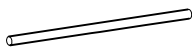
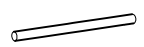


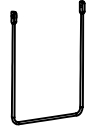


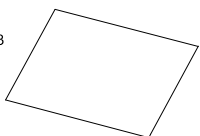
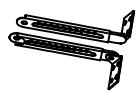















Liz Drawing Table With Stool U-CC84BST



PARTS LIST

 = Table Components

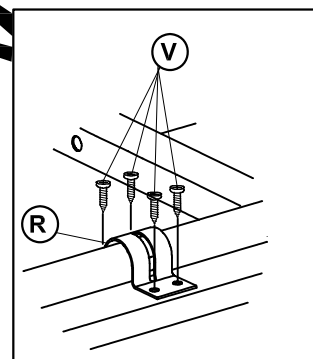
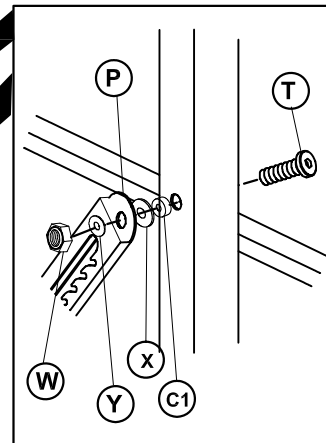
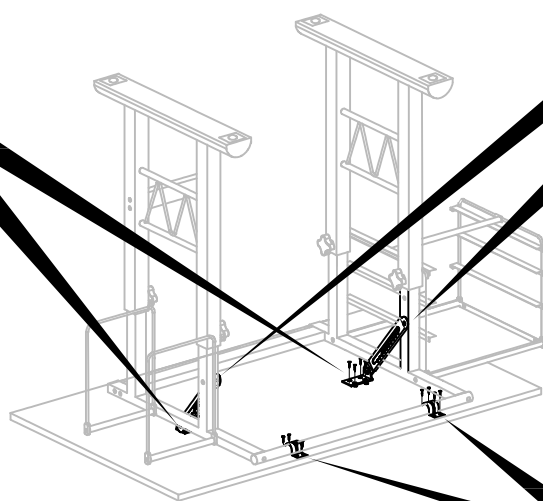
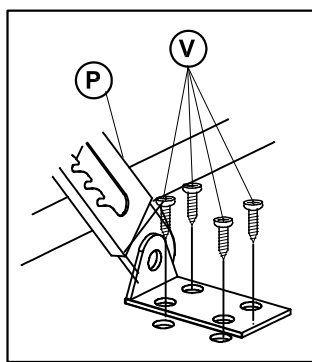
 = Fasteners and Tools

A QTY: 1  Top	B QTY: 1  Left Leg Support	C QTY: 1  Right Leg Support	D QTY: 1  Left Upper Support	E QTY: 1  Right Upper Support
F QTY: 1  Top Support Bar	G QTY: 1  Lower Support Bar	H QTY: 1  Front Tilt Bar	I QTY: 3  Drawer Support Bar	J QTY: 2  Drawer Support Bar
K QTY: 1  Left Drawer Support	L QTY: 1  Right Drawer Support	M QTY: 2  Drawer Support	N QTY: 1  Drawer Assembly Top	O QTY: 3  Drawer
O1 QTY: 3  Drawer Bottom	P QTY: 2  Tilt Mechanism	Q QTY: 4  Knobs	R QTY: 2  Tilt Bracket	S QTY: 6  6x25mm Bolts
T QTY: 6  6x50mm Bolts	U QTY: 8  6x55mm Bolts	U1 QTY: 2  6x70mm Bolts	V QTY: 18  5x14mm Screws	W QTY: 2  Nut
X QTY: 6  Large Washer	Y QTY: 2  Small Washer	Z QTY: 1  Pencil Ledge	A1 QTY: 1  Wrench	B1 QTY: 1  Allen Wrench
C1 QTY: 4  5mm Spacer	<p align="center">IMPORTANT</p> <p>If you have difficulty assembling your table, or need customer service assistance, please call: Martin Universal Design, Inc. customer service hotline at 1-313-895-0700, or email at custservmud@gmail.com. If you need additional parts, it is not necessary to contact your dealer. Our Customer Service Representative will forward them to you immediately.</p>			
D1 QTY: 2  4x12mm Screws				

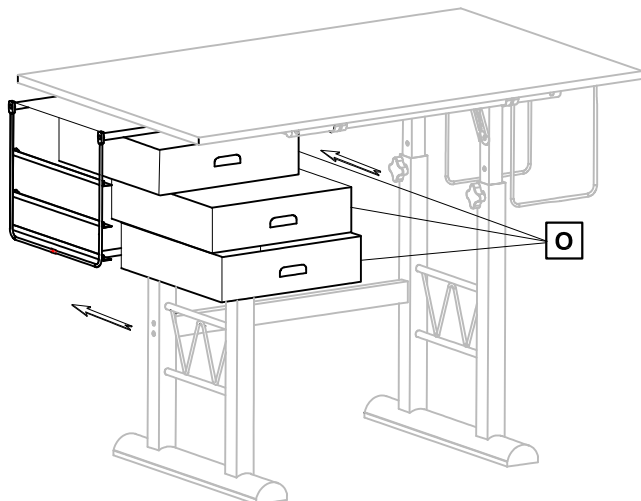
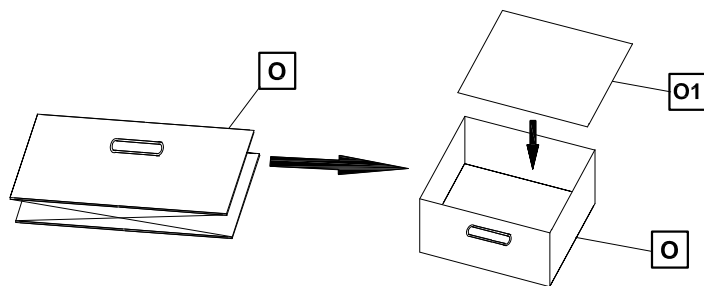
MARTIN
UNIVERSAL DESIGN, INC

4444 Lawton Street, Detroit, MI 48208 USA
TEL: 313-895-0700 FAX: 313-895-0709
www.MartinUniversalDesign.com
Email: custservmud@gmail.com

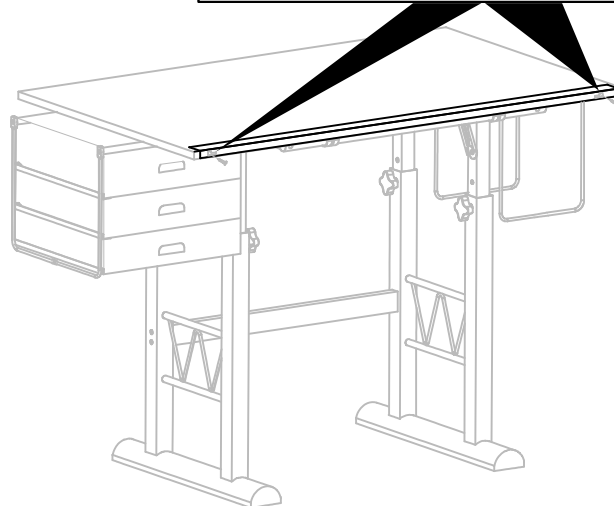
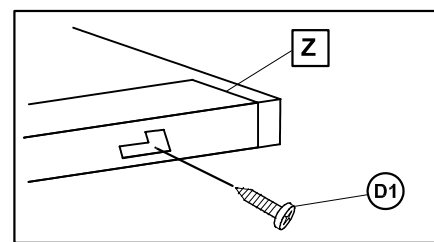
Step 3



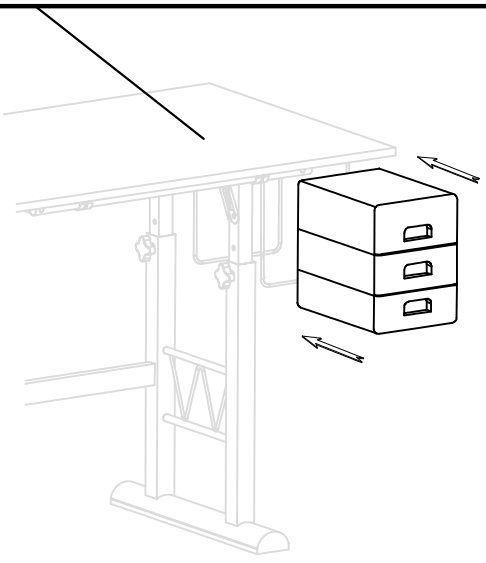
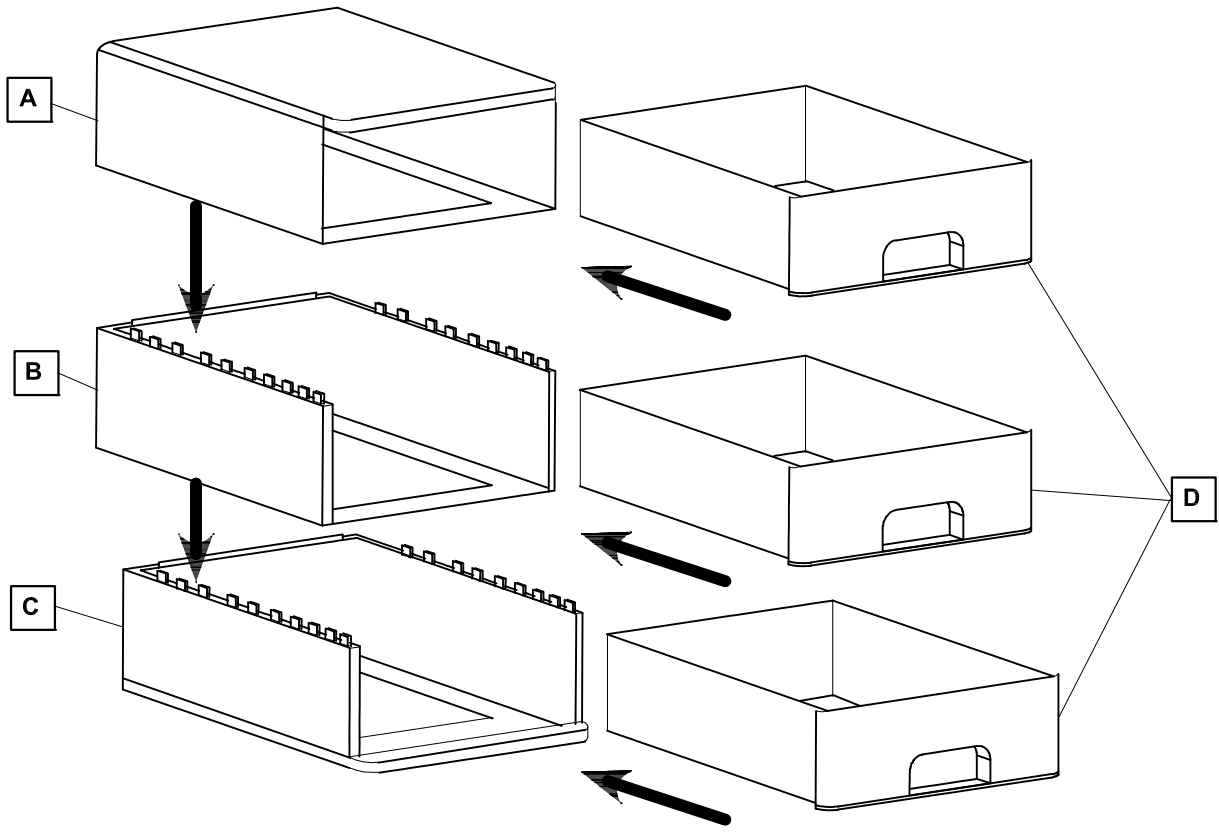
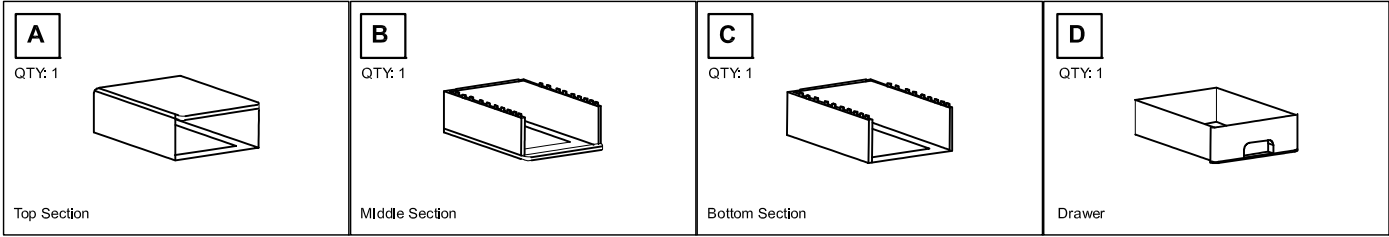
Step 4



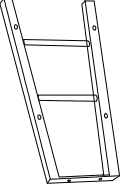



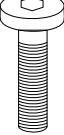
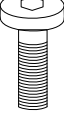
Step 5



Drawer Assembly



PARTS LIST

<p>A QTY: 2</p>  <p>Leg Frame</p>	<p>B QTY: 1</p>  <p>Seat</p>	<p>C QTY: 2</p>  <p>Short Support Rod</p>	<p>D QTY: 2</p>  <p>Long Support Rod</p>
<p>E QTY: 8</p>  <p>6x25mm Bolt</p>	<p>F QTY: 4</p>  <p>6x12mm Bolt</p>		

