

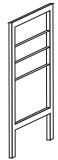
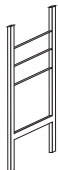
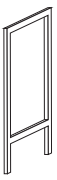
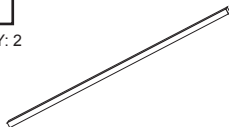




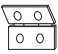


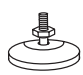
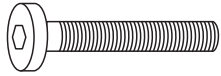

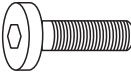
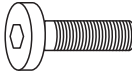
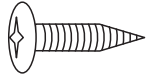
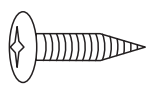

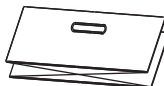
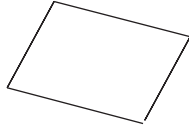




# MARTIN® Dorchester Split-Top Craft Table U-DS1950B



<b>A</b> QTY: 1  Drawer Top	<b>B</b> QTY: 1  Main Top	<b>C</b> QTY: 1  Left Leg Support	<b>D</b> QTY: 1  Center Leg Support	<b>E</b> QTY: 2  Right Leg Support
<b>F</b> QTY: 2  Top Support Bars	<b>G</b> QTY: 1  Drawer Support Bar	<b>H</b> QTY: 1  Upper Back Support Bar	<b>I</b> QTY: 1  Lower Back Support Bar	<b>J</b> QTY: 1  Foot Bar
<b>K</b> QTY: 2  Hinges	<b>L</b> QTY: 1  Tilt Mechanism	<b>M</b> QTY: 4  Washer	<b>N</b> QTY: 6  Floor Glides	<b>O</b> QTY: 14  6x55mm Bolt
<b>P</b> QTY: 2  6x45mm Bolt	<b>Q</b> QTY: 2  6x30mm Bolt	<b>R</b> QTY: 4  6x28mm Bolt	<b>S</b> QTY: 10  5x14mm Screw	<b>T</b> QTY: 2  4x12mm Screw
<b>U</b> QTY: 1  Locking Nut	<b>V</b> QTY: 3  Drawer	<b>W</b> QTY: 3  Drawer Bottom	<b>Y</b> QTY: 1  Allen Wrench	<b>Z</b> QTY: 1  Wrench

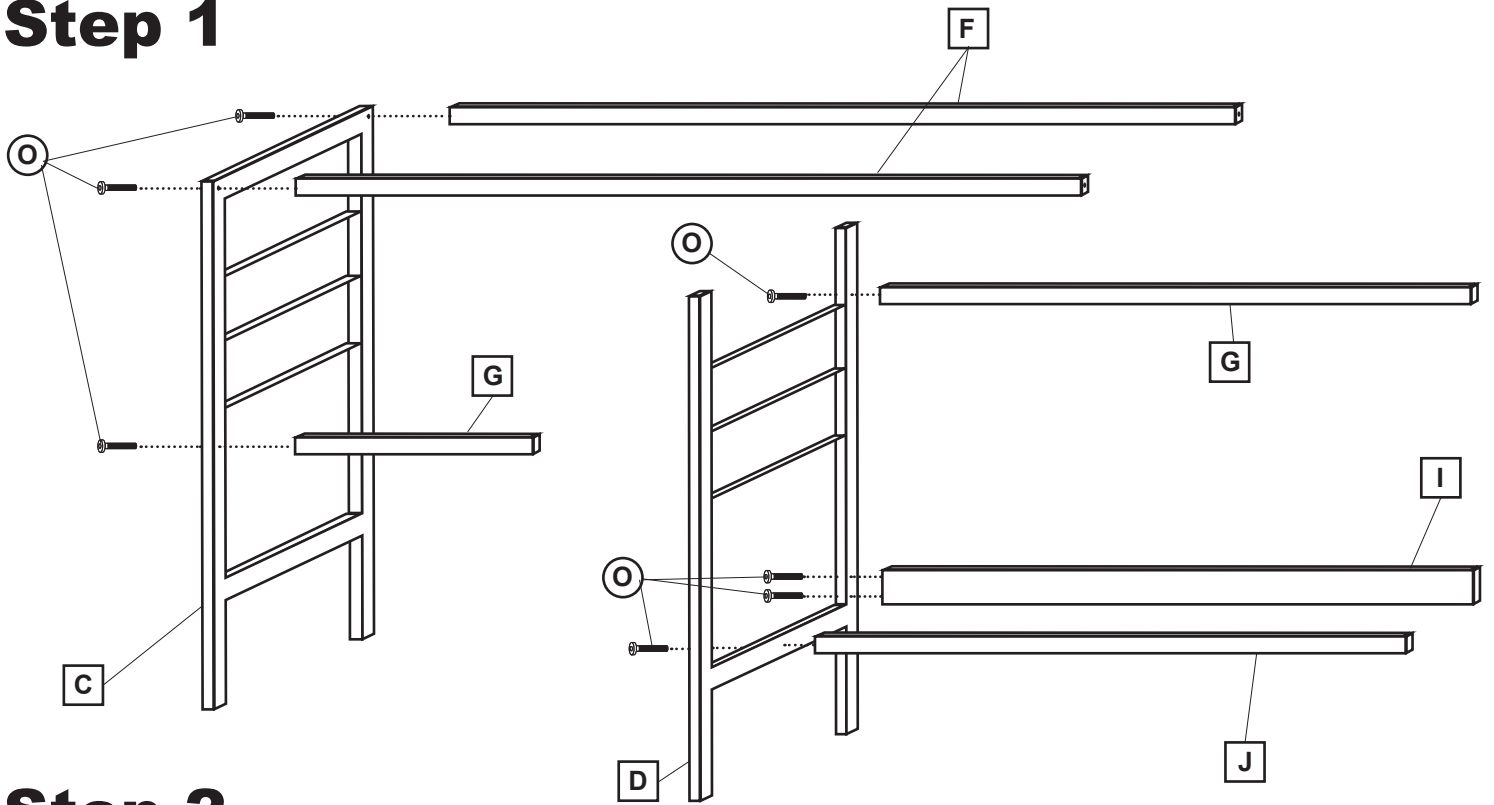
## IMPORTANT

If you have difficulty assembling your table, or need customer service assistance, please call: Martin Universal Design, Inc. customer service hotline at 1-313-895-0700, or email at [custservmud@gmail.com](mailto:custservmud@gmail.com). If you need additional parts, it is not necessary to contact your dealer. Our Customer Service Representative will forward them to you immediately.

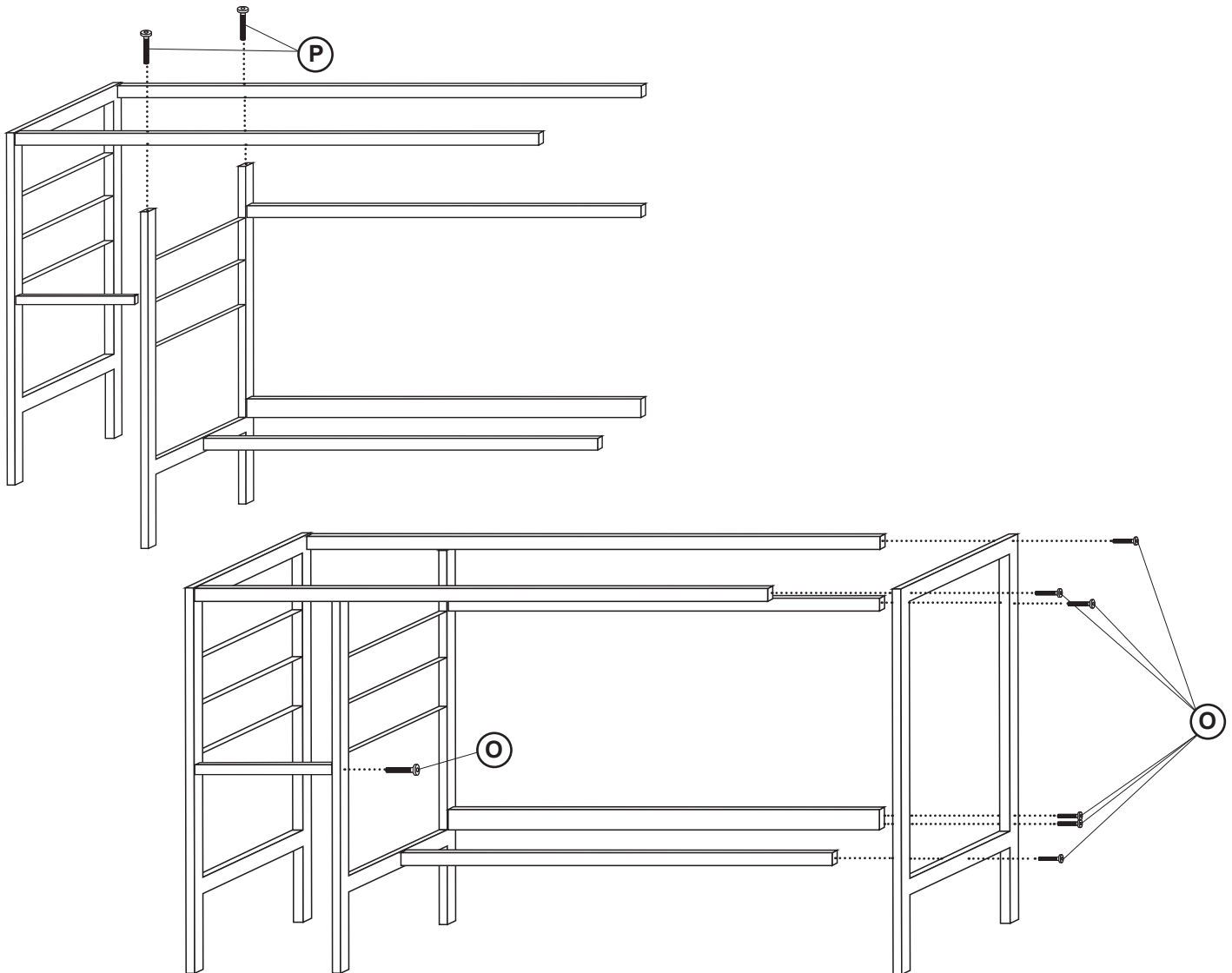
**MARTIN**  
UNIVERSAL DESIGN, INC

4444 Lawton Street, Detroit, MI 48208 USA  
TEL: 313-895-0700 FAX: 313-895-0709  
[www.MartinUniversaldesign.com](http://www.MartinUniversaldesign.com)  
Email: [custservmud@gmail.com](mailto:custservmud@gmail.com)

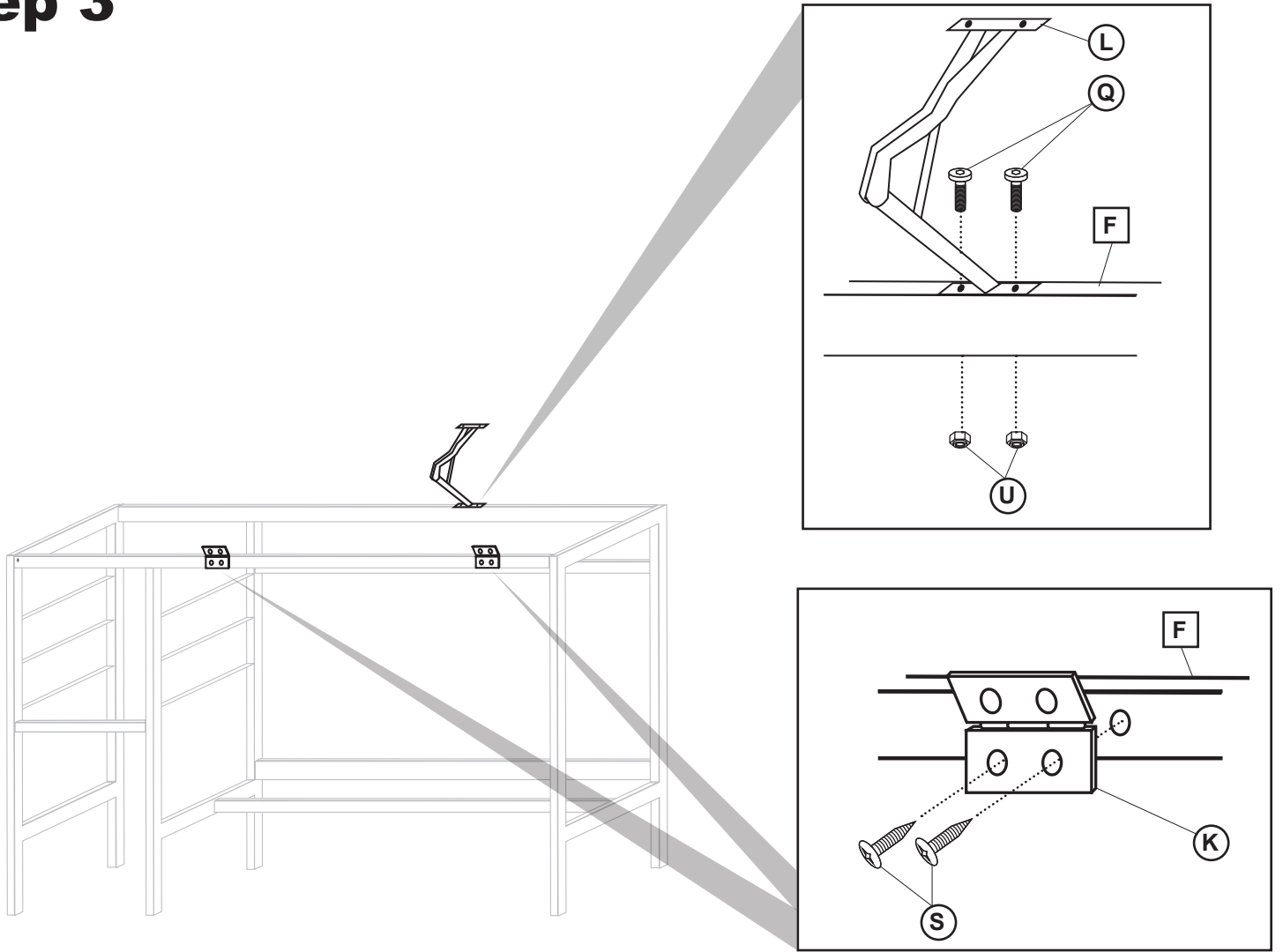
# Step 1



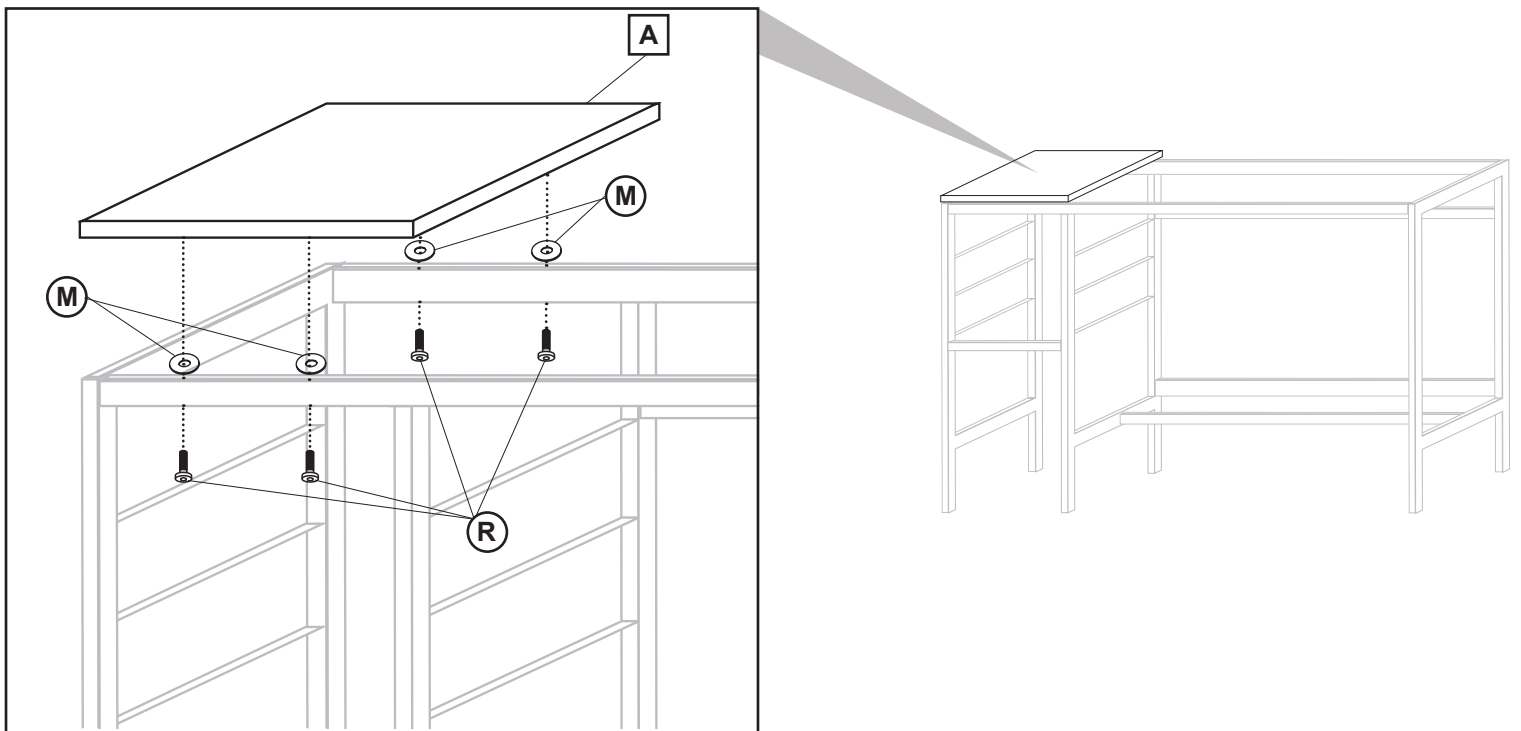
# Step 2



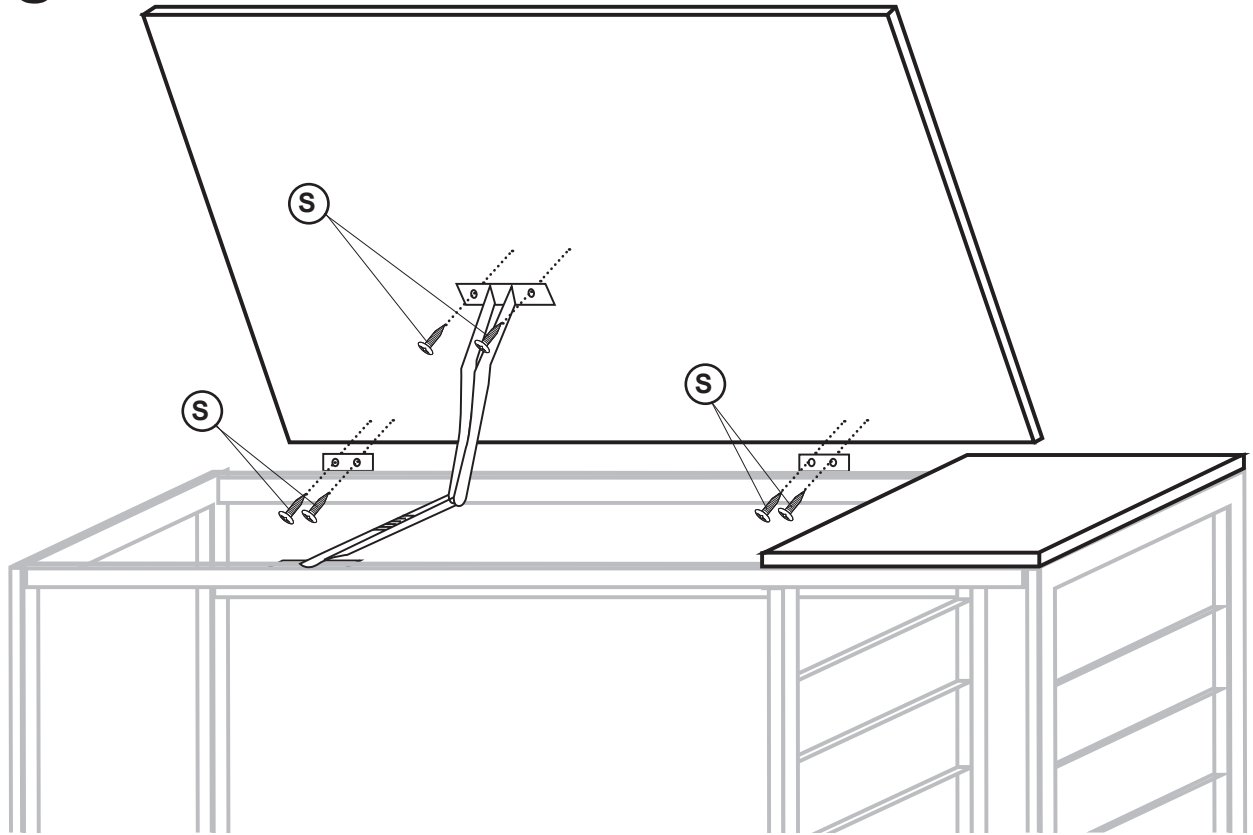
# Step 3



# Step 4



# Step 5



# Step 6

