

Creation Craft Center U-DS91TBW

Drawing, Art, Hobby, Craft Table, with 6 Drawer Tower

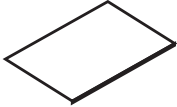
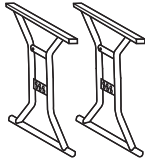




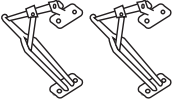










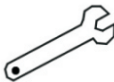


PARTS LIST



= Table Components



= Fasteners and Tools

<p>A QTY: 1</p>  <p>24"x40" Top</p>	<p>B QTY: 2</p>  <p>Upper Base End</p>	<p>C QTY: 1</p>  <p>Foot Bar</p>	<p>D QTY: 1</p>  <p>Cross Support</p>	<p>E QTY: 1</p>  <p>Top Support</p>
<p>F QTY: 1</p>  <p>Pencil Ledge</p>	<p>G QTY: 2</p>  <p>Tilt Mechanism</p>	<p>H QTY: 2</p>  <p>Top L-Bracket</p>	<p>I QTY: 4</p>  <p>Castors</p>	<p>J QTY: 2</p>  <p>Cross Support End Caps</p>
<p>K QTY: 2</p>  <p>Footbar Spacers</p>	<p>L QTY: 6</p>  <p>6x55mm Bolt</p>	<p>M QTY: 4</p>  <p>6x28mm Bolt</p>	<p>N QTY: 8</p>  <p>5x14mm Screw</p>	<p>O QTY: 2</p>  <p>4x12mm Screw</p>
<p>P QTY: 4</p>  <p>Nuts</p>	<p>Q QTY: 2</p>  <p>6x65mm Bolt</p>	<p>R QTY: 1</p>  <p>Wrench 12mm</p>	<p>S QTY: 1</p>  <p>Allen Wrench</p>	<p>T QTY: 1</p>  <p>Wrench 10mm</p>

Phillips Head screw driver
NOT INCLUDED

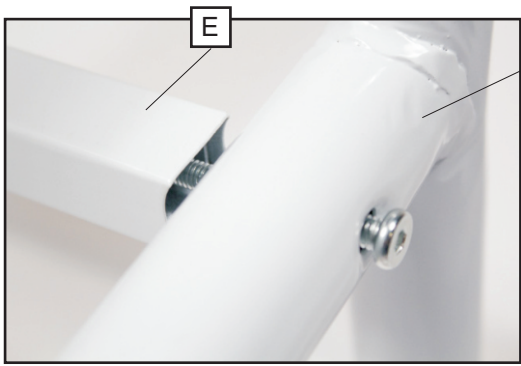
IMPORTANT

If you have difficulty assembling your table, or need customer service assistance, please call: Martin Universal Design, Inc. customer service hotline at 1-313-895-0700, or email at custservmud@gmail.com. If you need additional parts, it is not necessary to contact your dealer. Our Customer Service Representative will forward them to you immediately.

MARTIN
MARTIN UNIVERSAL DESIGN, INC

4444 Lawton Street, Detroit, MI 48208 USA
TEL: 313-895-0700 FAX: 313-895-0709
www.MartinUniversalDesign.com
Email: custservmud@gmail.com

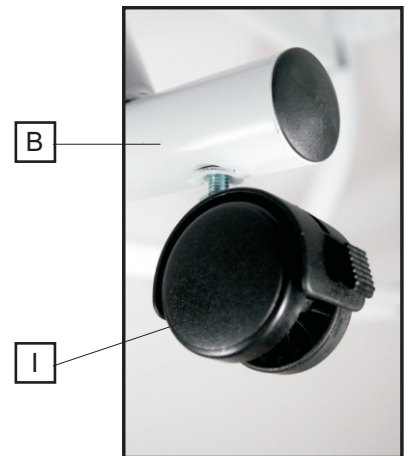
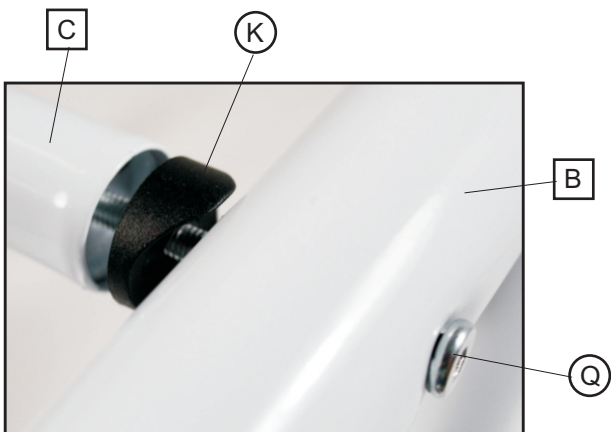
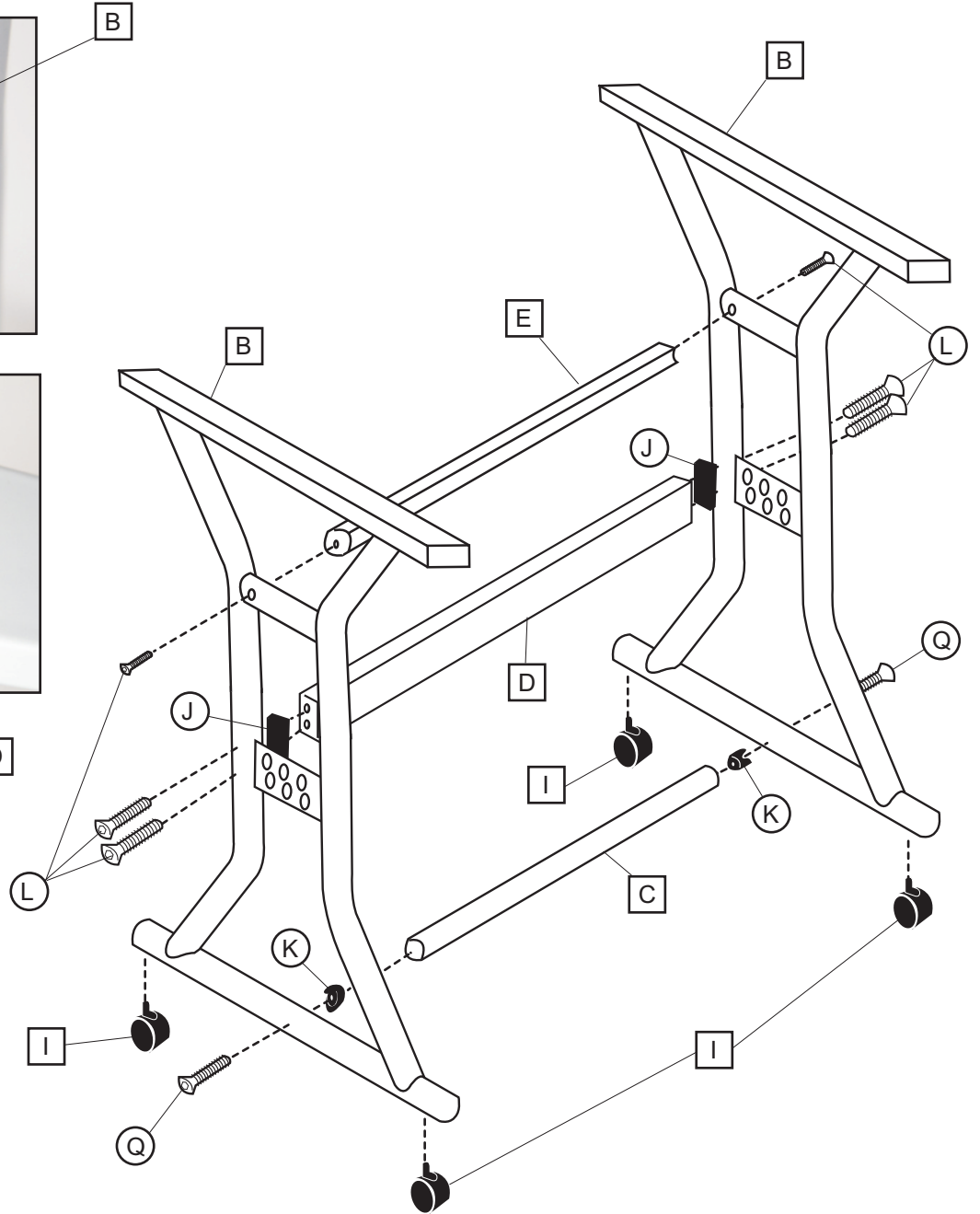
Step 1



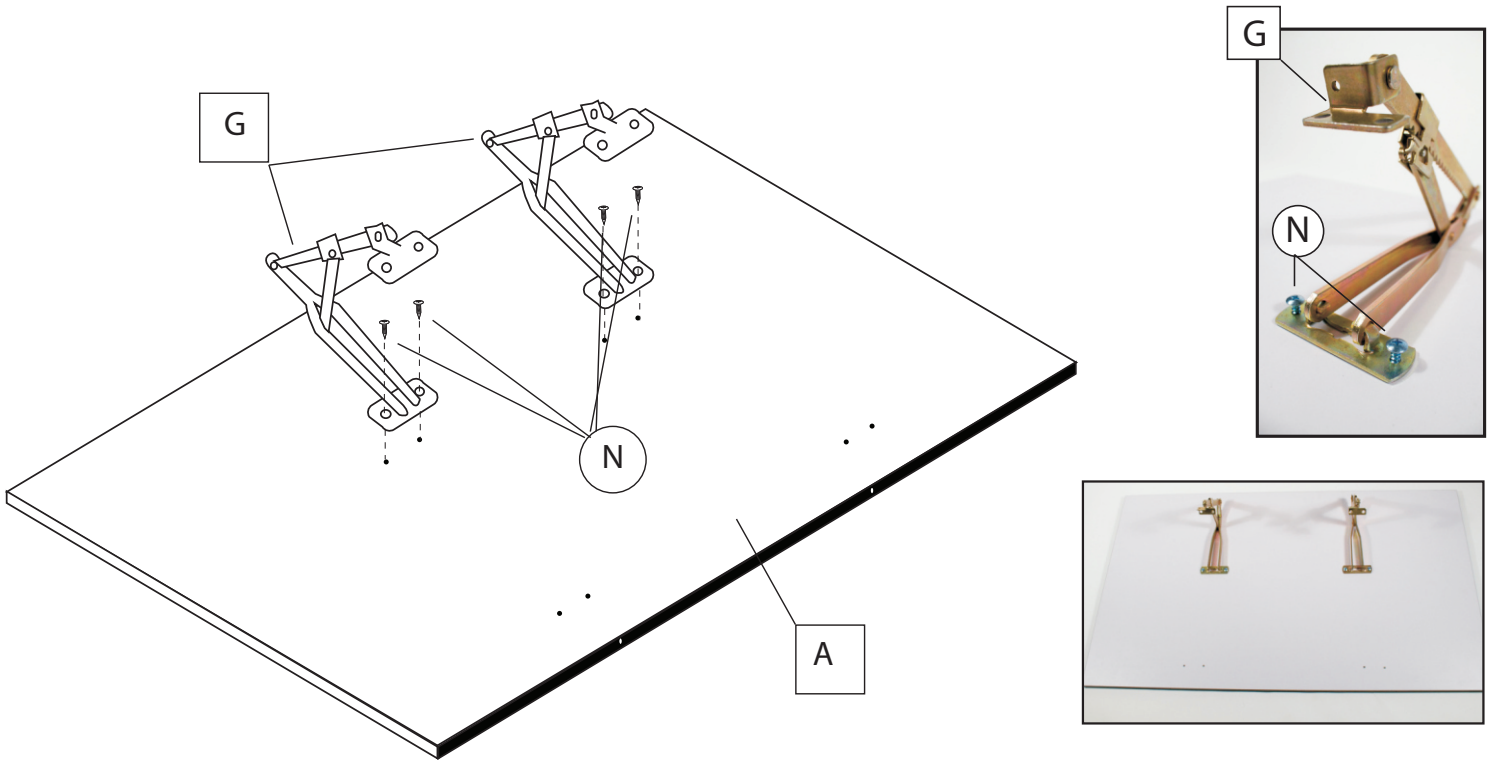
L

J

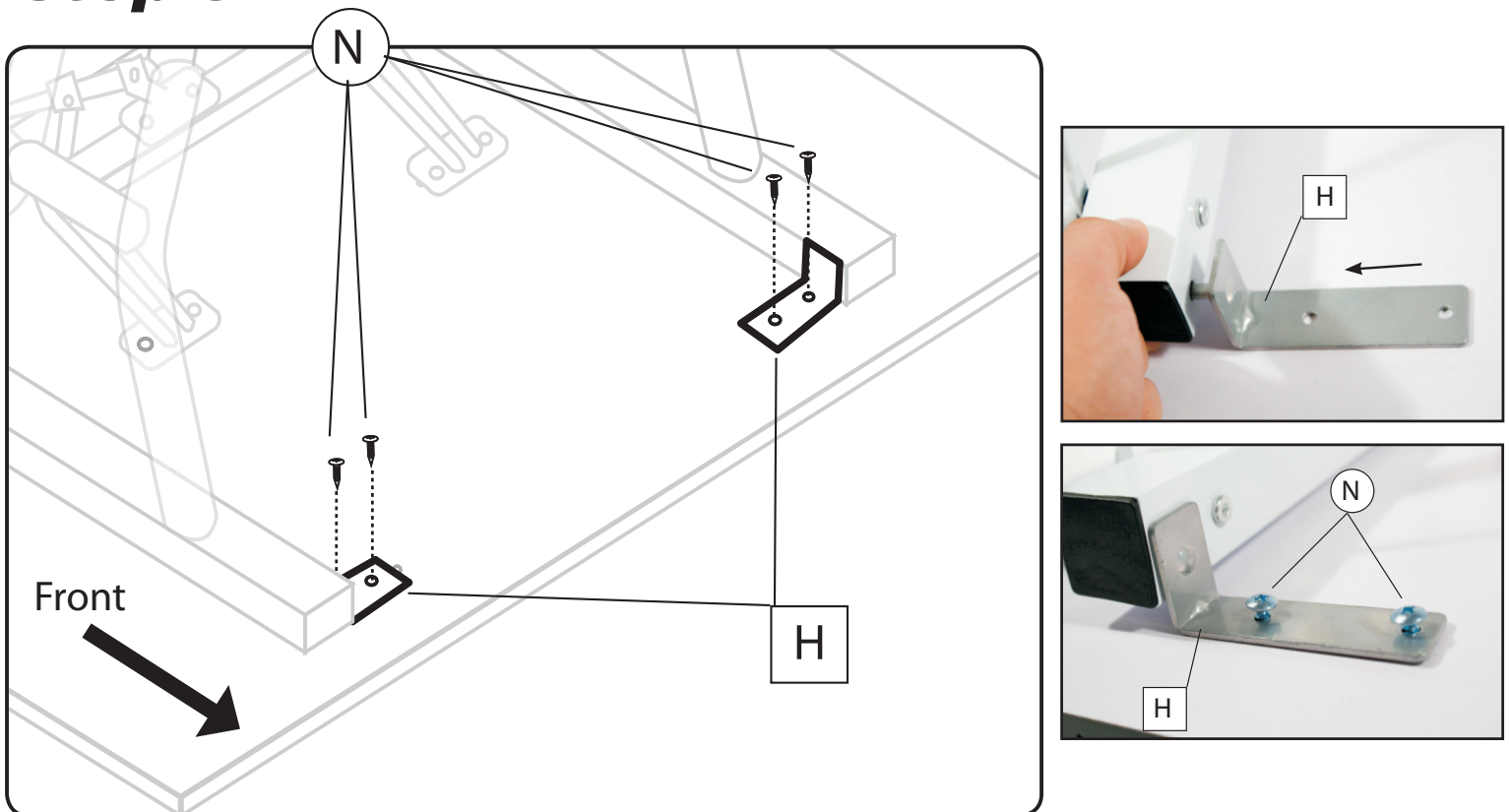
D



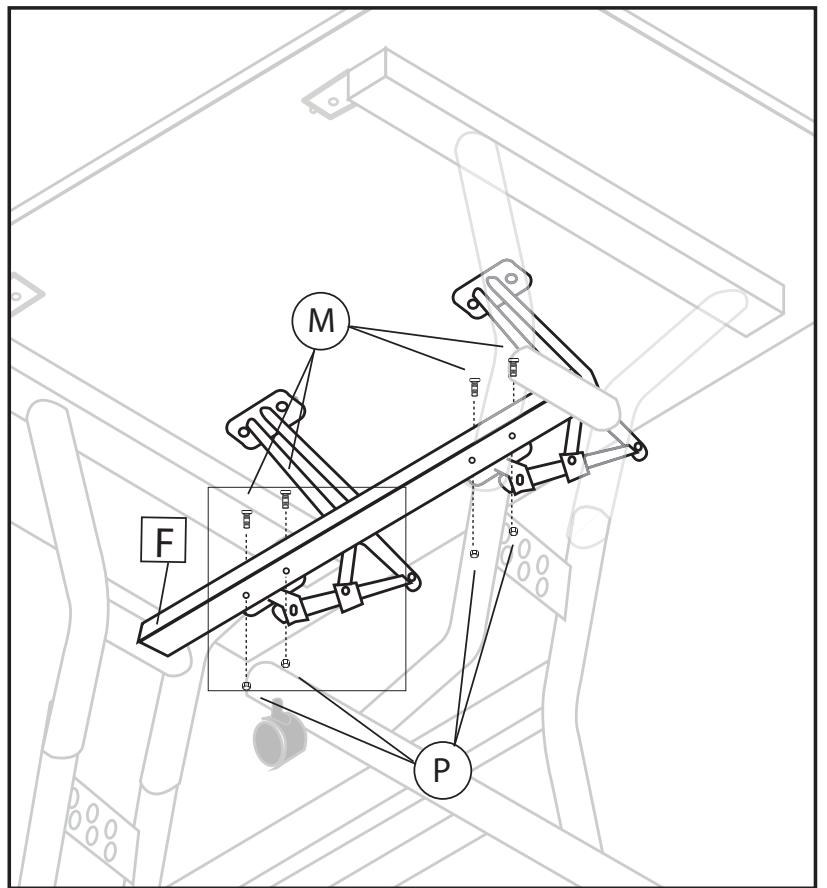
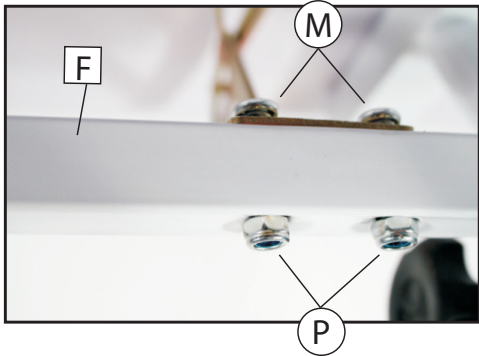
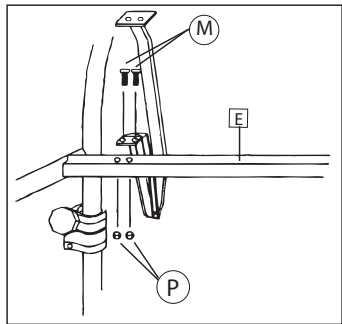
Step 2



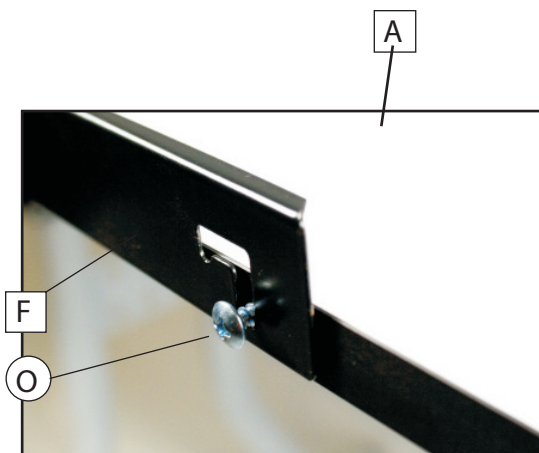
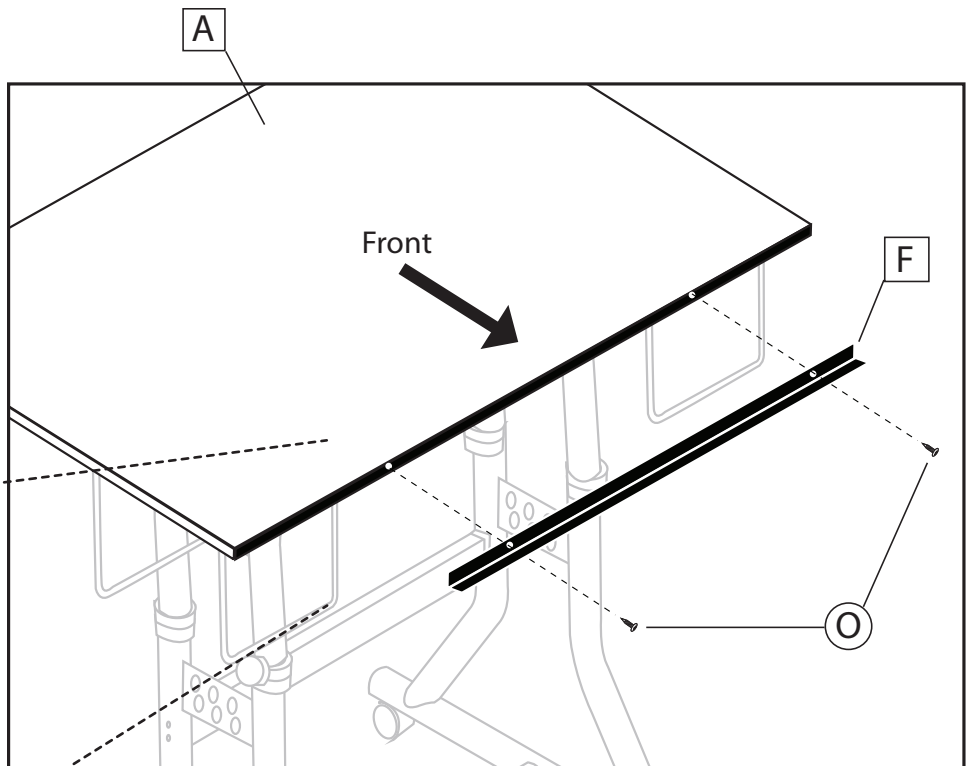
Step 3



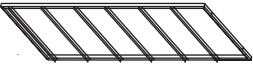
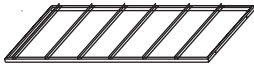

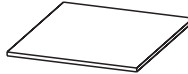

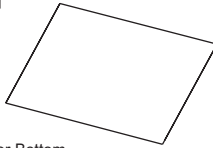





Step 7



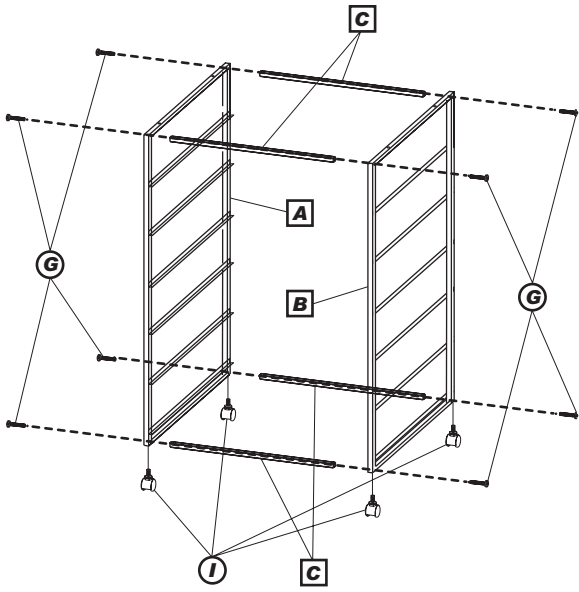
Step 8



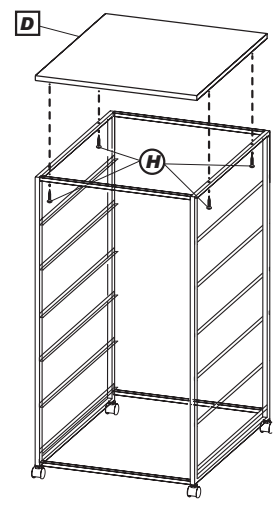
Mobile Drawer Taboret Instructions

A QTY: 1  Left Drawer Frame	B QTY: 1  Right Drawer Frame	C QTY: 4  Drawer Support Bar	D QTY: 1  Drawer Top	E QTY: 6  Drawer
F QTY: 6  Drawer Bottom	G QTY: 8  6x45mm Bolts	H QTY: 4  4x20mm Screws	I QTY: 4 2 Locking / 2 Non-locking  Castors	J QTY: 1  Wrench
K QTY: 1  Allen Wrench				

Step 1



Step 2



Step 3

