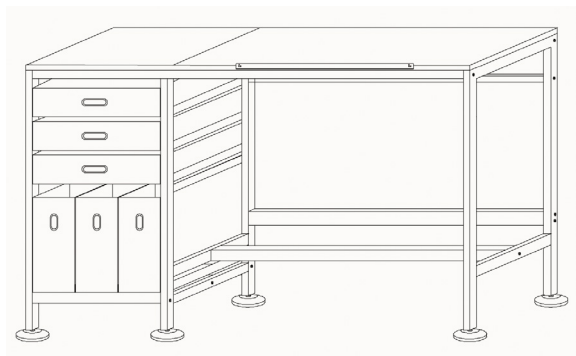

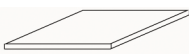

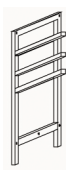


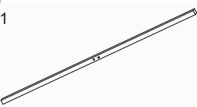


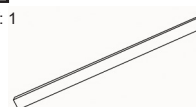

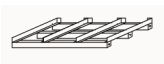
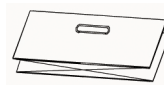
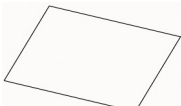
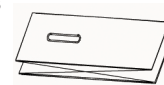

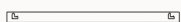


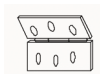

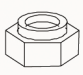
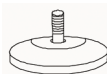


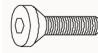
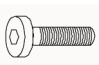
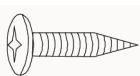
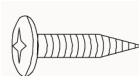


Jessica Multi Craft Center U-DS2950ST



 = Table Components

 = Fasteners and Tools

<p>A QTY: 1</p>  <p>Drawing Top</p>	<p>B QTY: 1</p>  <p>Main Top</p>	<p>C QTY: 1</p>  <p>Left Leg Support</p>	<p>D QTY: 1</p>  <p>Center Leg Support</p>	<p>E QTY: 1</p>  <p>Right Leg Support</p>
<p>F QTY: 1</p>  <p>Back Top Support Bar</p>	<p>F1 QTY: 1</p>  <p>Front Top Support Bar</p>	<p>G QTY: 1</p>  <p>Upper Back Support Bar</p>	<p>H QTY: 1</p>  <p>Lower Back Support Bar</p>	<p>I QTY: 1</p>  <p>Front Support Bar</p>
<p>J QTY: 1</p>  <p>Bottom Support Bar</p>	<p>K QTY: 3</p>  <p>Top Drawer</p>	<p>L QTY: 3</p>  <p>Top Drawer Bottoms</p>	<p>M QTY: 3</p>  <p>Bottom Drawer</p>	<p>N QTY: 3</p>  <p>Bottom Drawer Bottom</p>
<p>O QTY: 1</p>  <p>Pencil Ledge</p>	<p>1 QTY: 1</p>  <p>Allen Wrench</p>	<p>2 QTY: 1</p>  <p>Wrench</p>	<p>3 QTY: 2</p>  <p>Hinges</p>	<p>4 QTY: 1</p>  <p>Tilt Mechanism</p>
<p>5 QTY: 2</p>  <p>Nut</p>	<p>6 QTY: 6</p>  <p>Floor Glides</p>	<p>7 QTY: 18</p>  <p>6 x 50mm Bolt</p>	<p>8 QTY: 2</p>  <p>6 x 40mm Bolt</p>	<p>9 QTY: 2</p>  <p>6 x 35mm Bolt</p>
<p>10 QTY: 4</p>  <p>6 x 35mm Bolt</p>	<p>11 QTY: 14</p>  <p>5 x 12mm Screw</p>	<p>12 QTY: 2</p>  <p>4 x 12mm Screw</p>		

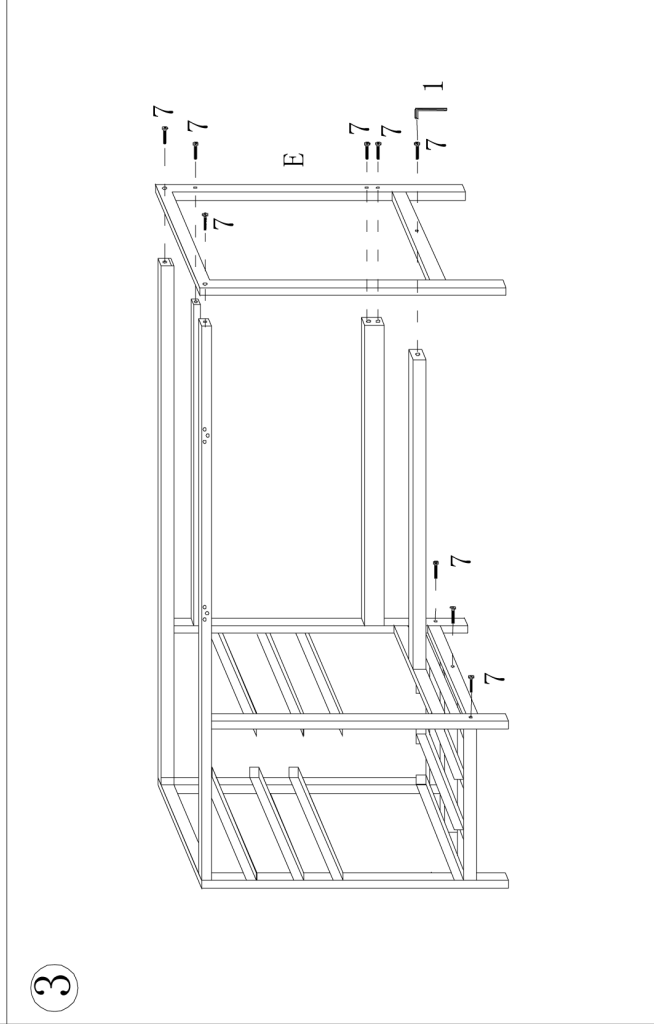
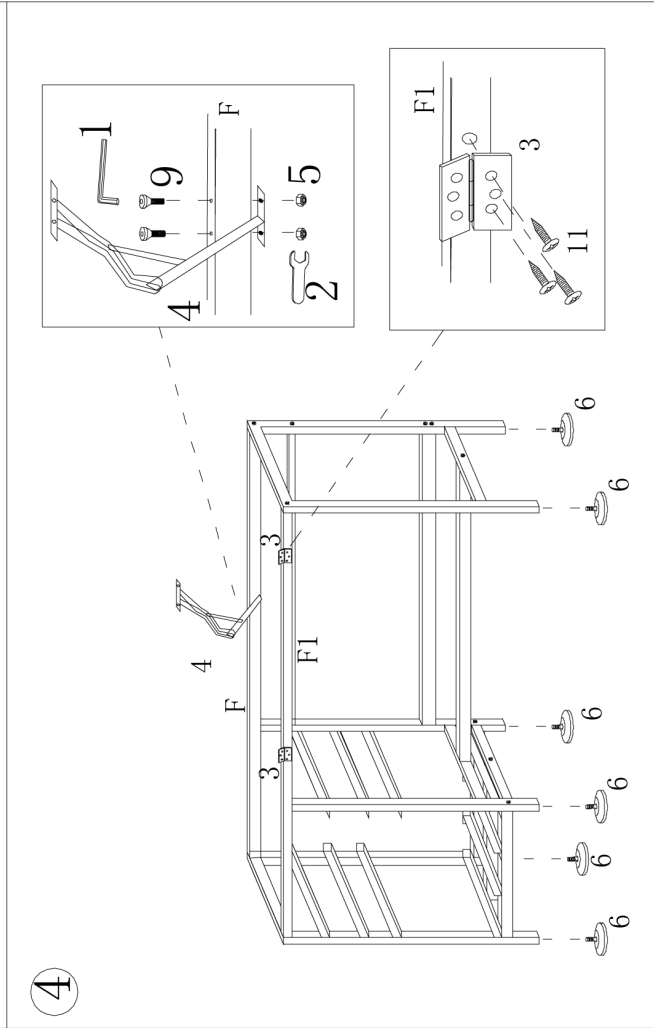
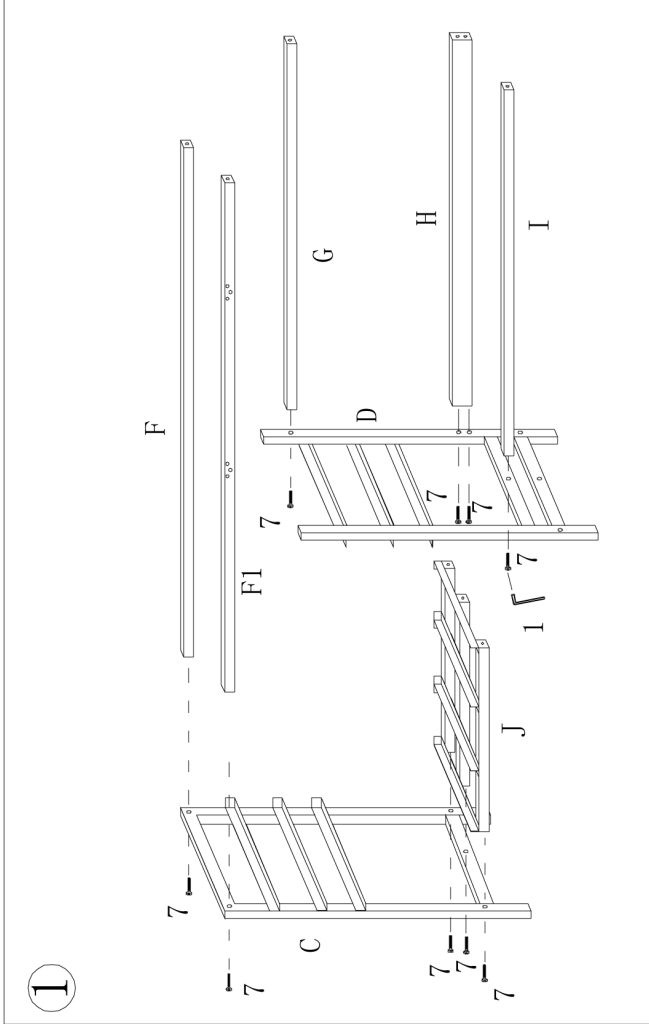
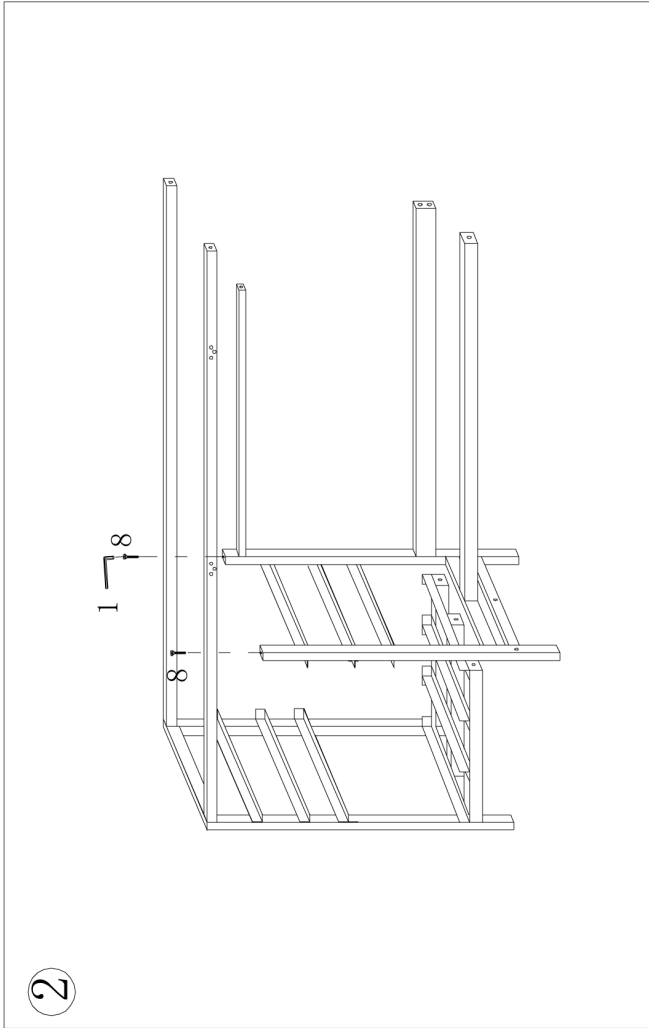
IMPORTANT

If you have difficulty assembling your table, or need customer service assistance, please call: Martin Universal Design, Inc. customer service hotline at 1-313-895-0700, or email at custservmud@gmail.com. If you need additional parts, it is not necessary to contact your dealer. Our Customer Service Representative will forward them to you immediately.

MARTIN
UNIVERSAL DESIGN, INC

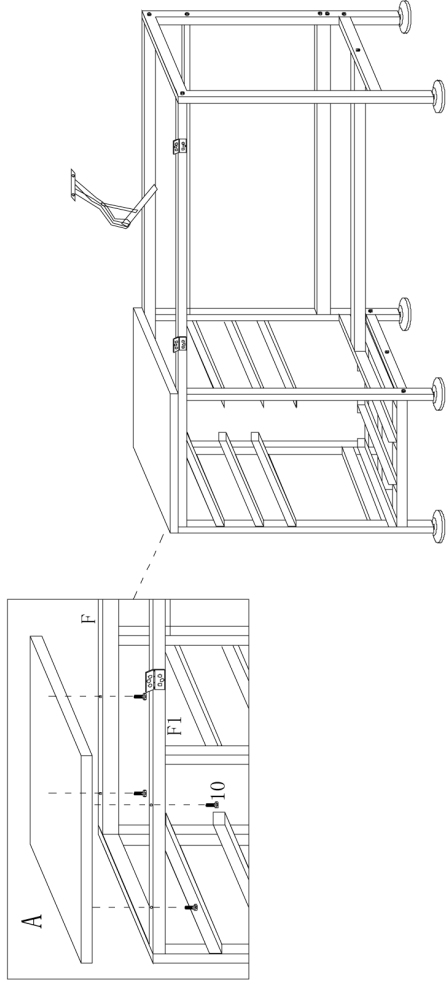
4444 Lawton Street, Detroit, MI 48208 USA
TEL: 313-895-0700 FAX: 313-895-0709
www.MartinUniversaldesign.com
Email: custservmud@gmail.com

ASSEMBLY INSTRUCTION

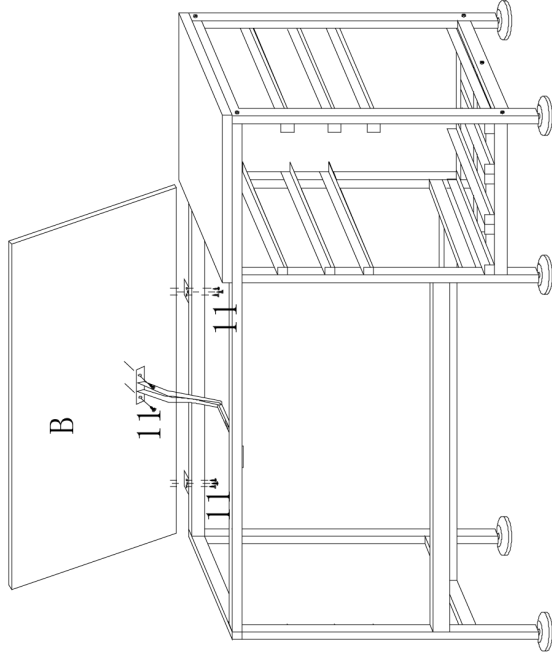


ASSEMBLY INSTRUCTION

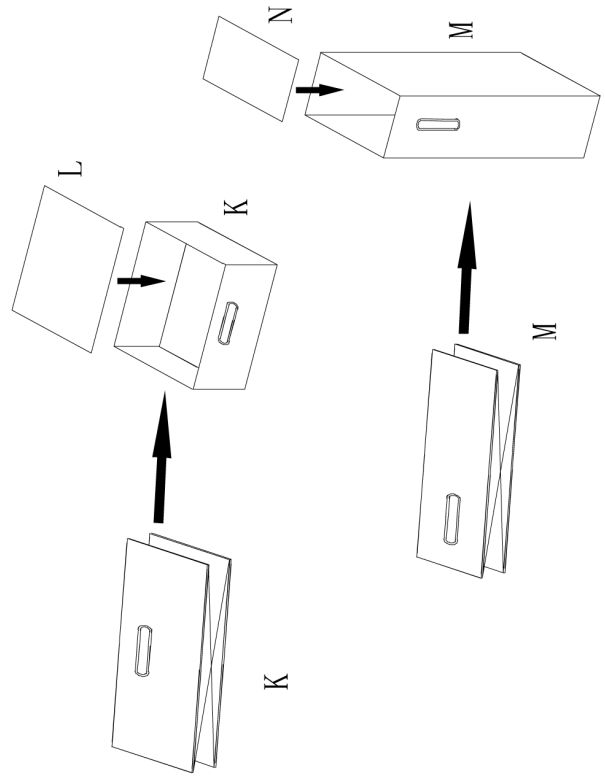
5



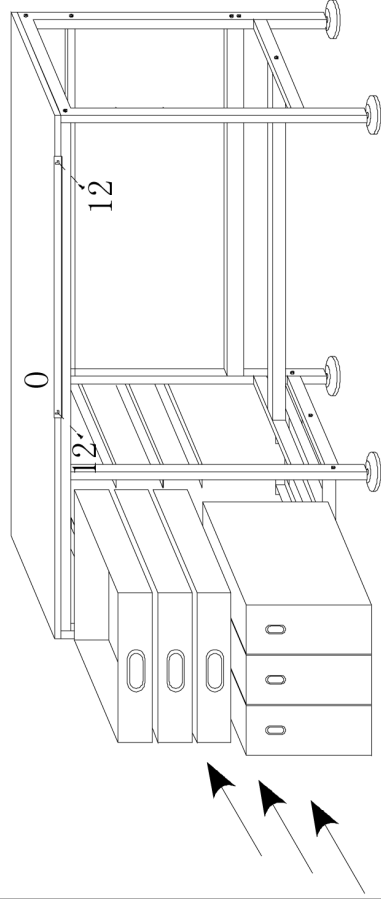
6



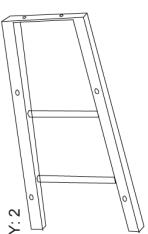



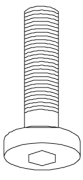
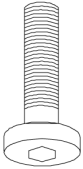

7



8



ASSEMBLY INSTRUCTION

 <p>A QTY: 2</p> <p>Leg Frame</p>	 <p>B QTY: 1</p> <p>Seat</p>	 <p>C QTY: 2</p> <p>Short Support Rod</p>	 <p>D QTY: 2</p> <p>Long Support Rod</p>	 <p>1 QTY: 4</p> <p>6 x 12mm Bolt</p>	 <p>2 QTY: 8</p> <p>6 x 18mm Bolt</p>	 <p>3 QTY: 1</p> <p>Allen Wrench</p>
---	--	---	---	---	---	---

