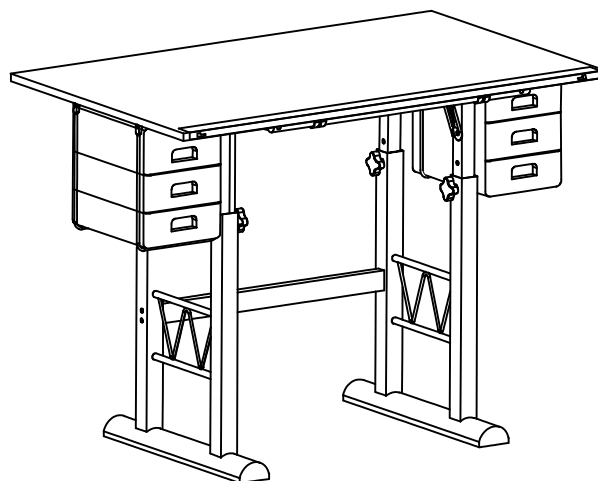



Liz Drawing Table


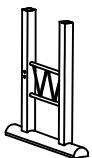
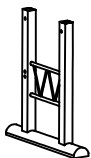
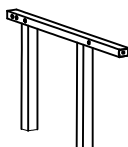
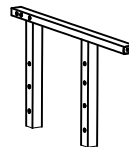




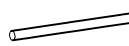
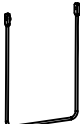
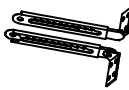










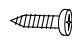


U-DS84BW



PARTS LIST

 = Table Components

 = Fasteners and Tools

A QTY: 1  Top	B QTY: 1  Left Leg Support	C QTY: 1  Right Leg Support	D QTY: 1  Left Upper Support	E QTY: 1  Right Upper Support
F QTY: 1  Top Support Bar	G QTY: 1  Lower Support Bar	H QTY: 1  Front Tilt Bar	I QTY: 1  Pencil Ledge	J QTY: 4  Drawer Support Bar
K QTY: 4  Drawer Support	L QTY: 2  Tilt Mechanism	M QTY: 4  Knobs	N QTY: 2  Tilt Bracket	O QTY: 4  6x25mm Bolts
P QTY: 8  6x50mm Bolts	Q QTY: 8  6x55mm Bolts	R QTY: 18  5x14mm Screws	S QTY: 2  Nut	T QTY: 6  Large Washer
U QTY: 2  Small Washer	V QTY: 2  5mm Spacer	W QTY: 2  4x12mm Screws	X QTY: 1  Allen Wrench	Y QTY: 1  Wrench

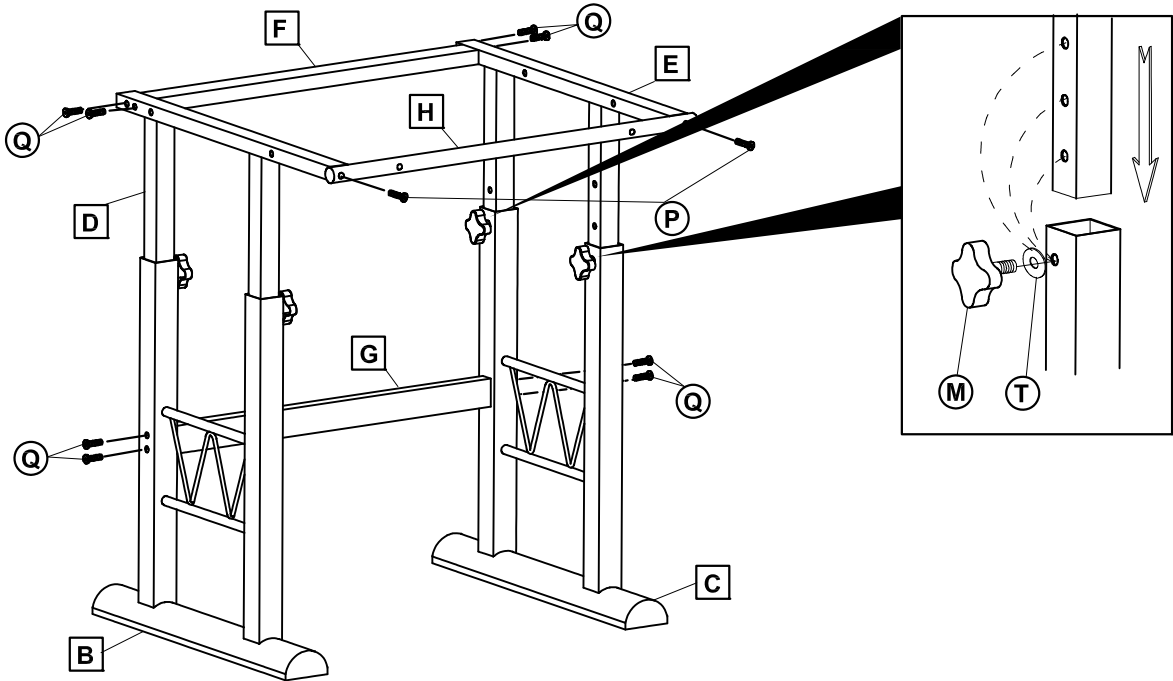
IMPORTANT

If you have difficulty assembling your table, or need customer service assistance, please call: Martin Universal Design, Inc. customer service hotline at 1-313-895-0700, or email at custservmud@gmail.com. If you need additional parts, it is not necessary to contact your dealer. Our Customer Service Representative will forward them to you immediately.

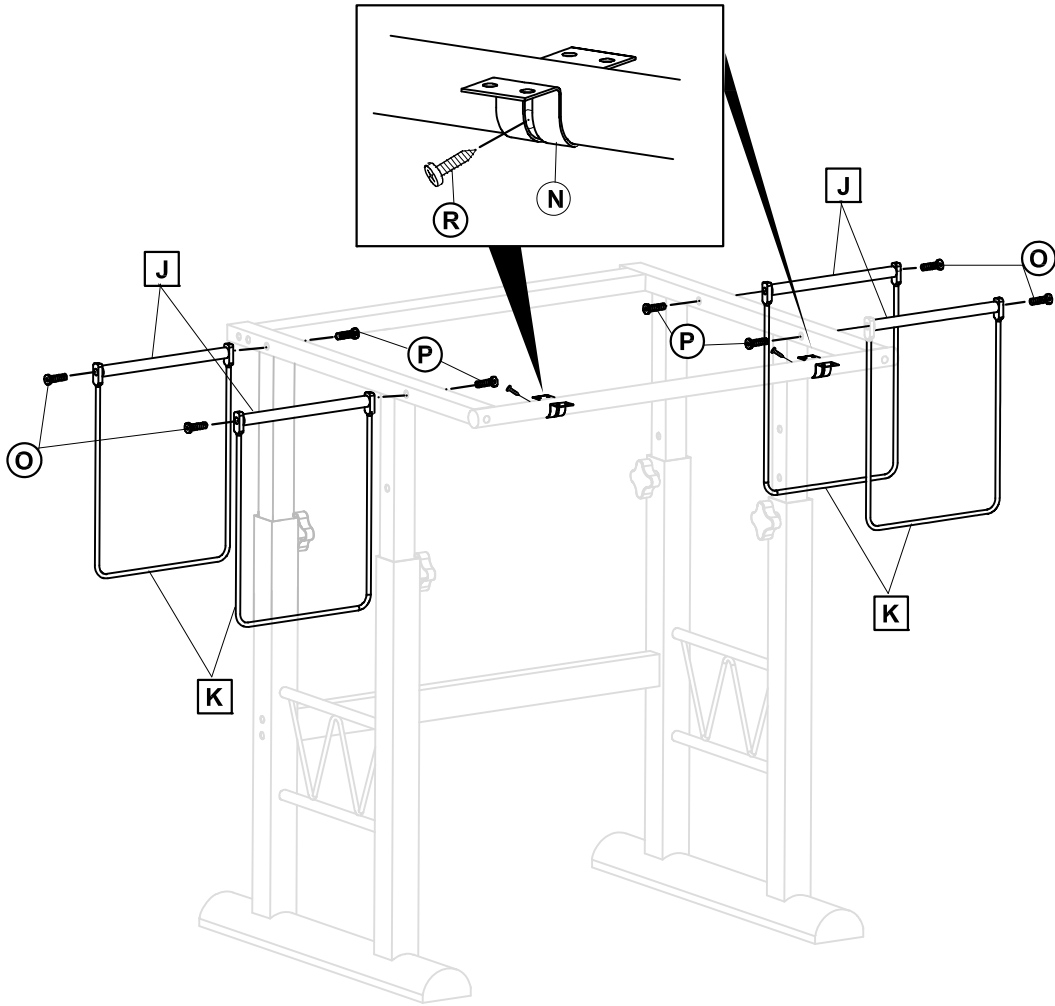
MARTIN
UNIVERSAL DESIGN, INC

4444 Lawton Street, Detroit, MI 48208 USA
 TEL: 313-895-0700 FAX: 313-895-0709
www.MartinUniversaldesign.com
 Email: custservmud@gmail.com

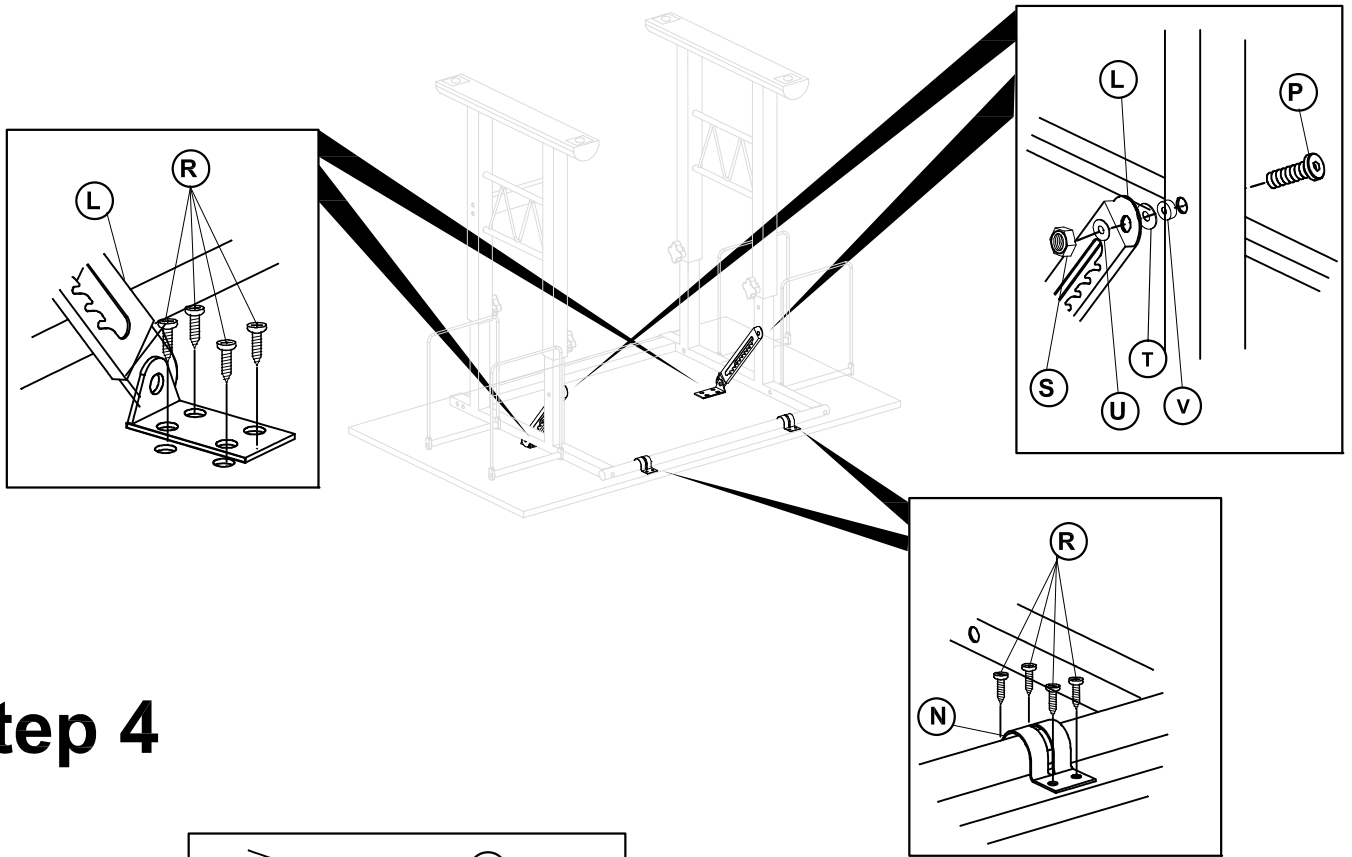
Step 1



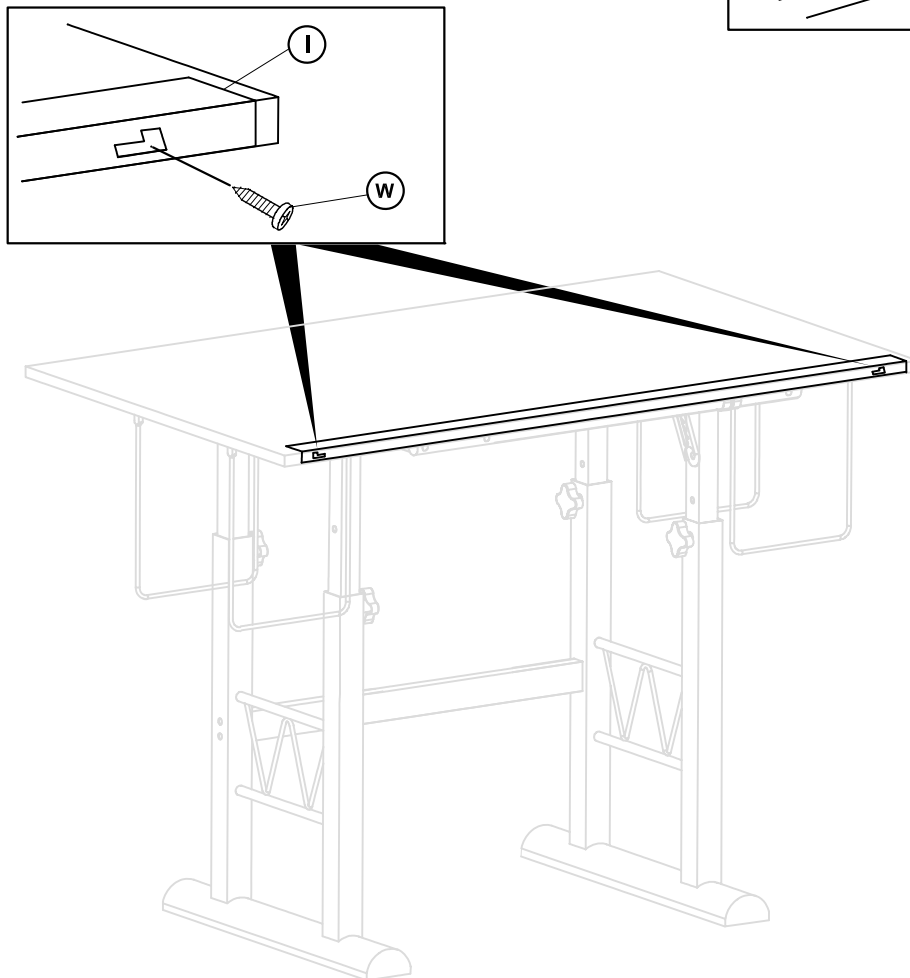
Step 2



Step 3



Step 4



Drawer Assembly

